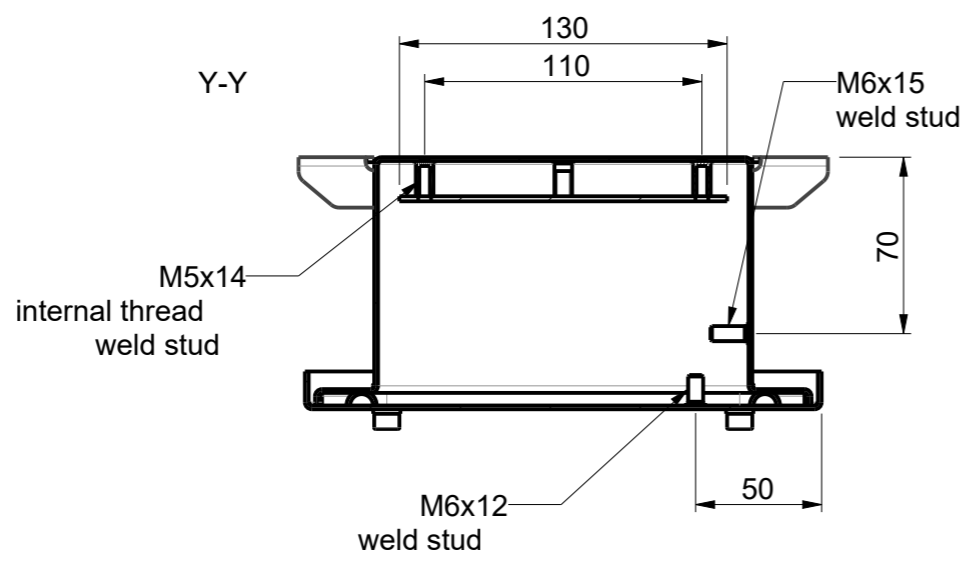
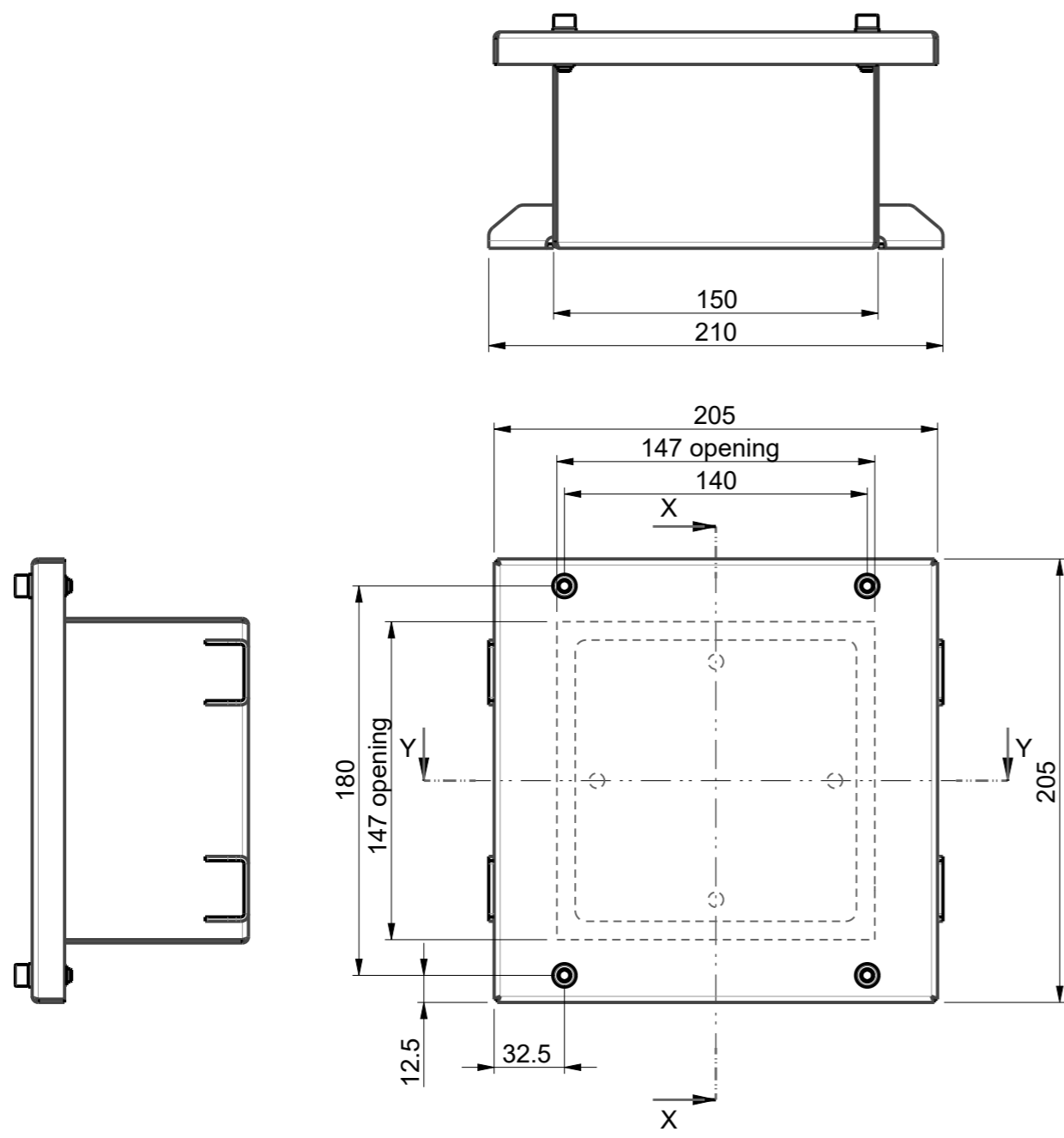
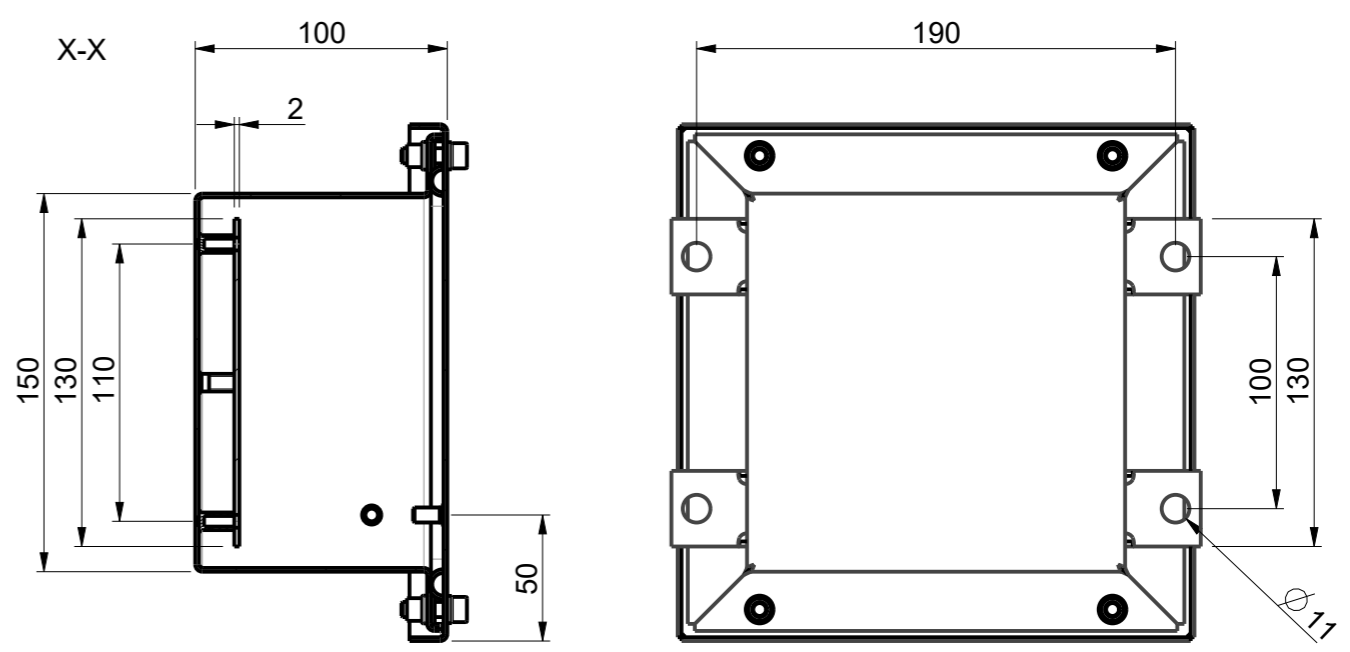


ISO 2768-C GENERAL TOLERANCES
 LINEAR AND ANGULAR DIMENSIONS
 DIN 6930-C STAMPED STEEL PARTS
 FLAT SURFACES / BENDINGS
 ISO 13920-BG WELDINGS
 WELDED CONSTRUCTIONS
 Model
 Drawing VFEP151510A.dwg

1 2 3 4 5 6 7 8



ID	Description	Date	By	Appr.
A	1.	23.7.18	PLe	



Part	Code	Description	Pcs	Weight [g]/pcs
5	PPE19202	Mounting Plate V1515	1	0
4	PPE19102	Lid VFE1515	1	0
3	PLF33	DIN912 M6x20 A4 hex socket screw	4	0
2	PUA84	DIN125 M6 A4 Washer	4	0
1	PPE19002	Base VFEP151510	1	0

Surface Treatment:	Color: RAL7035S	Weight [g]	1500
Material: Mild steel	Casemet Material:		

			Enclosure VFEP151510A	Replaces:
Casemet Oy				Replaced:
Scale	Date	23.7.18	Drw No: A	Ref: Cubo V
1:3	By	PLe		
A3	Checked			
Sheet No: 1 (1)	Ctrl		Code: VFEP151510A	