

ISO 2768-C GENERAL TOLERANCES
LINEAR AND ANGULAR DIMENSIONS

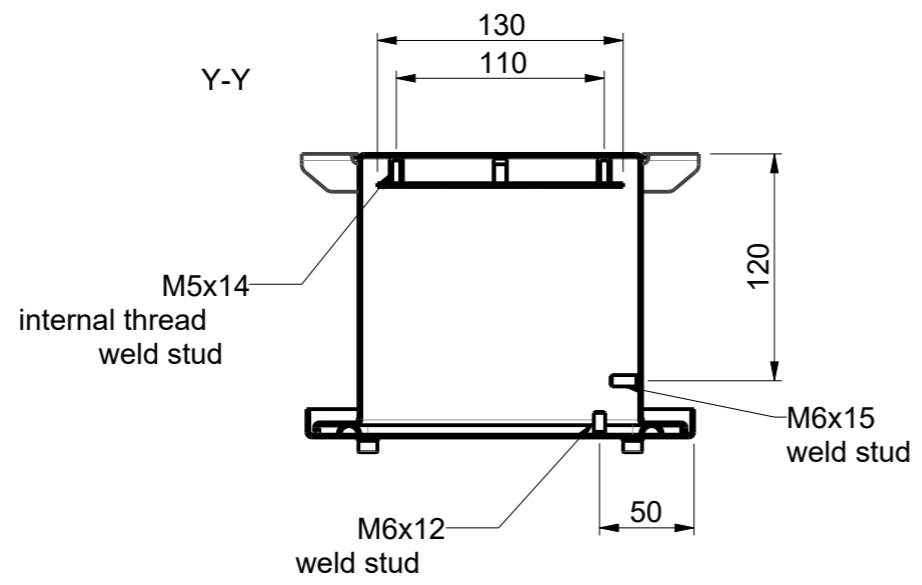
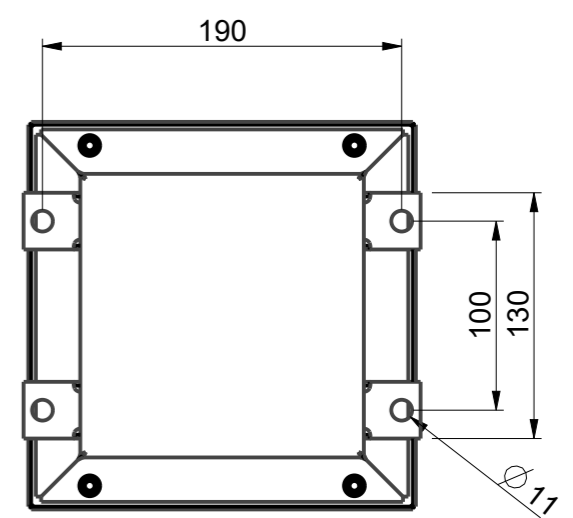
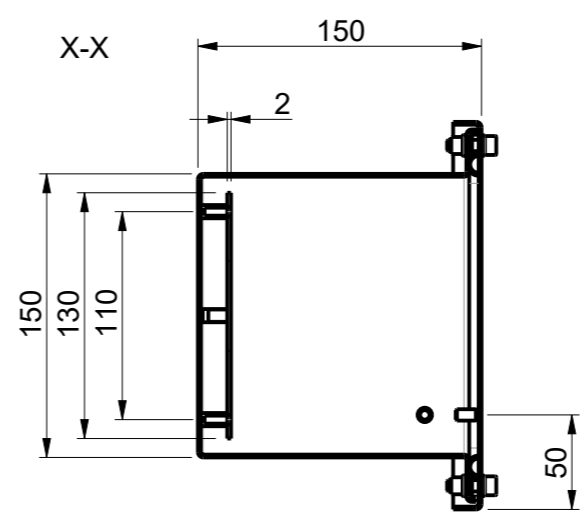
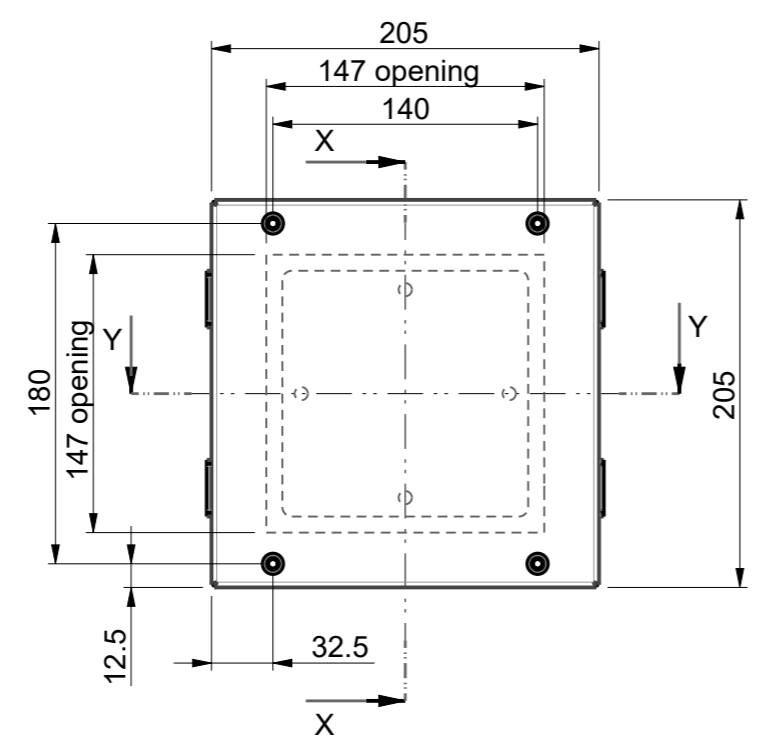
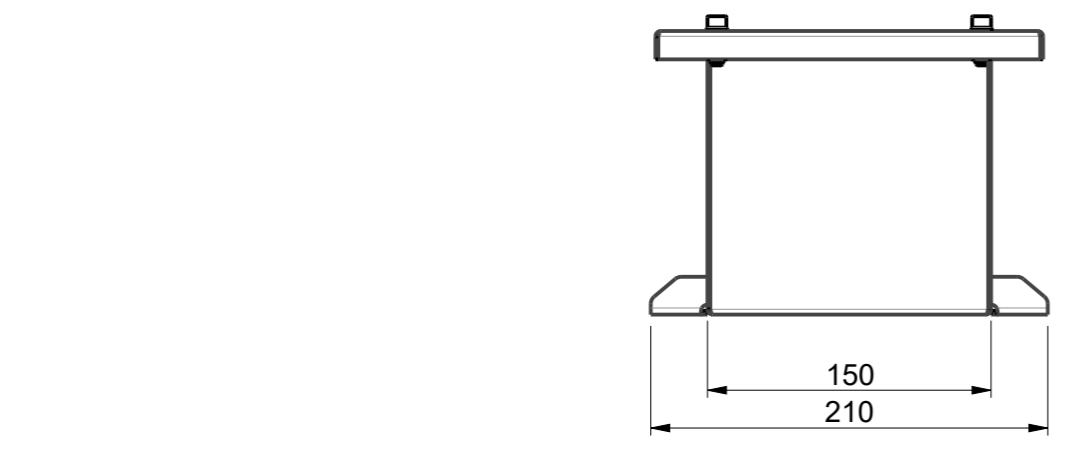
DIN 6930-C STAMPED STEEL PARTS
FLAT SURFACES / BENDINGS

ISO 13920-BG WELDINGS
WELDED CONSTRUCTIONS

Model
Drawing VFEP151515A.dwg

1 2 3 4 5 6 7 8

ID	Description	Date	By	Appr.
A	1.	23.7.18	PLe	



Part	Code	Description	Pcs	Weight [g/pcs]
5	PPE19202	Mounting Plate V1515	1	0
4	PPE19102	Lid VFE1515	1	0
3	PLF33	DIN912 M6x20 A4 hex socket screw	4	0
2	PUA84	DIN125 M6 A4 Washer	4	0
1	PPE19005	Base VFEP151515	1	0

Surface Treatment: Color: RAL7035S Weight [g] 2000

Material: Mild steel Casemet Material:

			Enclosure VFEP151515A	Replaces:
Casemet Oy				Replaced:
Scale	Date	23.7.18	Drw No: A	Ref: Cubo V
1:4	By	PLe		
A3	Checked			
Sheet No: 1 (1)	Ctrl		Code: VFEP151515A	