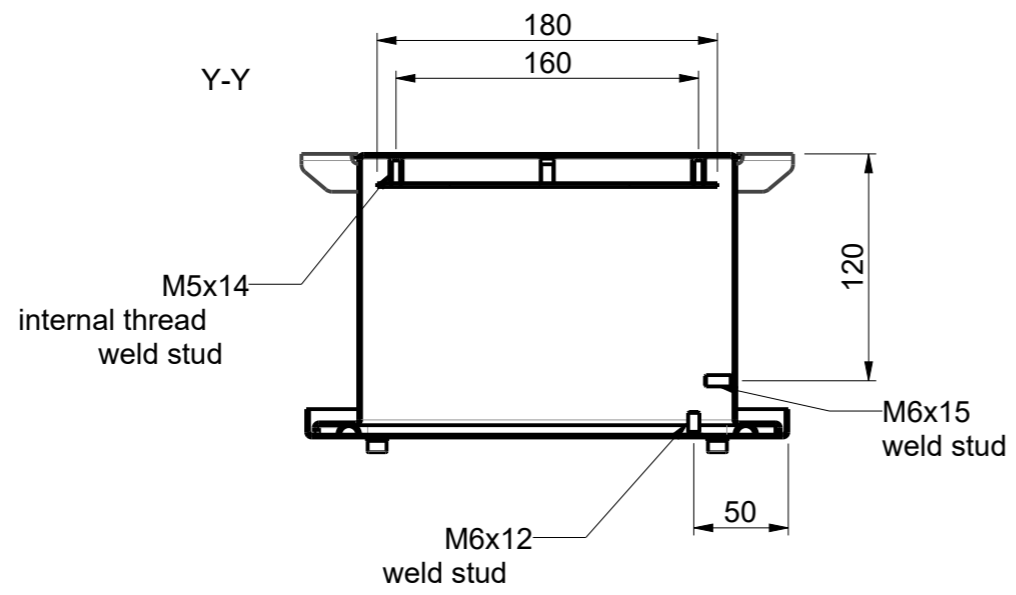
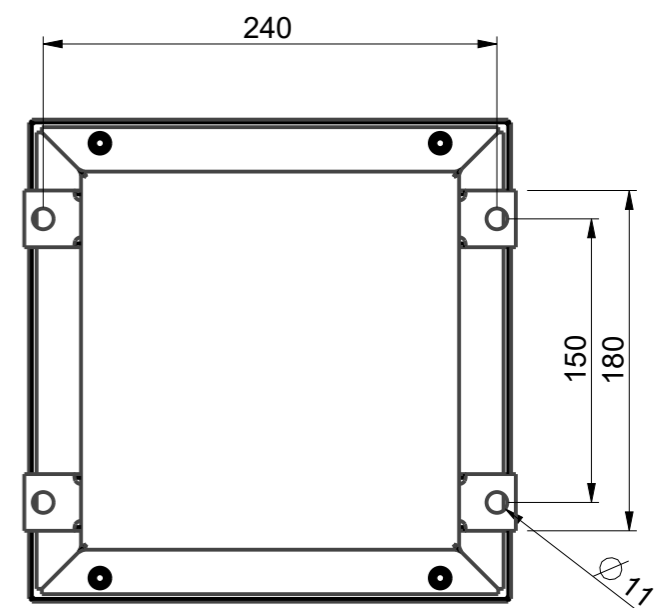
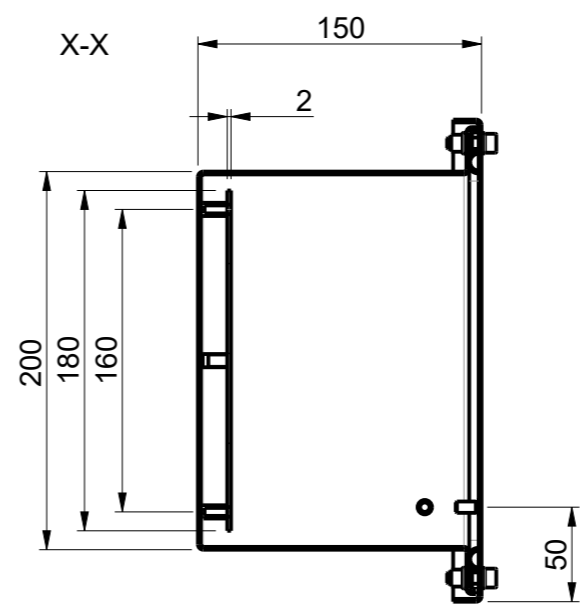
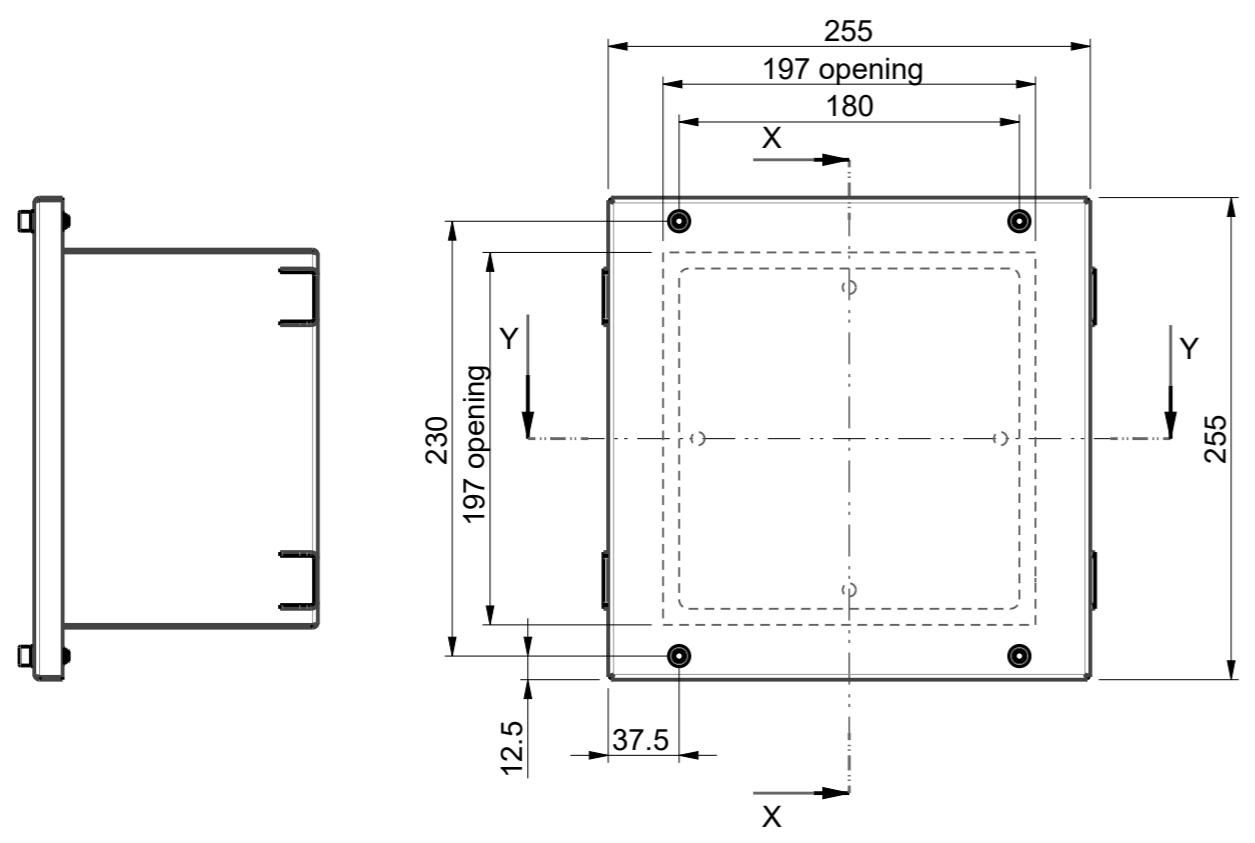
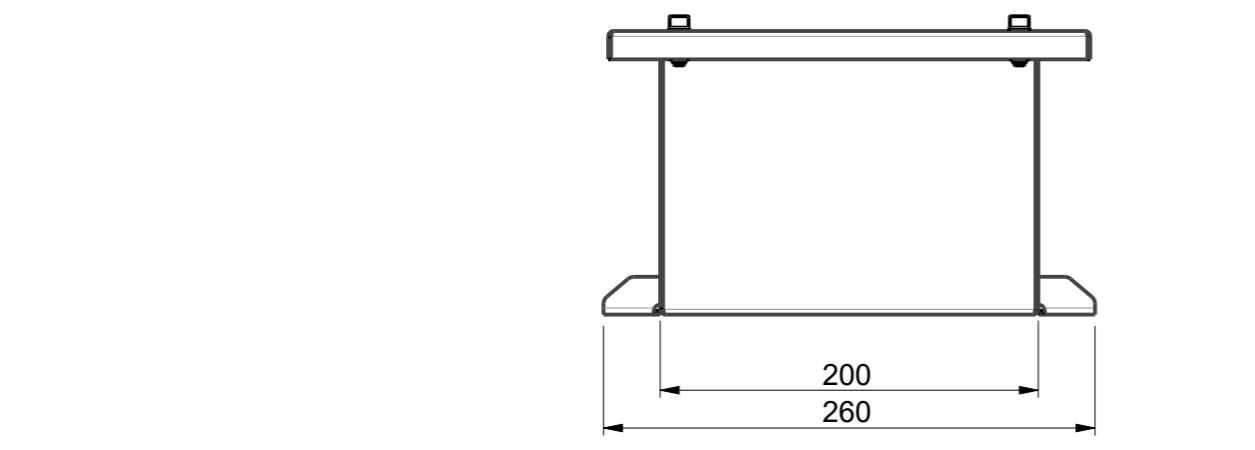


ISO 2768-C GENERAL TOLERANCES
 LINEAR AND ANGULAR DIMENSIONS
 DIN 6930-C STAMPED STEEL PARTS
 FLAT SURFACES / BENDINGS
 ISO 13920-BG WELDINGS
 WELDED CONSTRUCTIONS
 Model
 Drawing VFEP202015A.dwg

1 2 3 4 5 6 7 8

ID	Description	Date	By	Appr.
A	1.	23.7.18	PLe	



Part	Code	Description	Pcs	Weight [g/pcs]
5	PPE19203	Mounting Plate V2020	1	0
4	PPE19103	Lid VFE2020	1	0
3	PLF33	DIN912 M6x20 A4 hex socket screw	4	0
2	PUA84	DIN125 M6 A4 Washer	4	0
1	PPE19006	Base VFEP202015	1	0

Surface Treatment: Color: RAL7035S Weight [g] 2500
 Material: Mild steel Casemet Material:

		Enclosure VFEP202015A	Replaces:
Scale 1:4 Date 23.7.18 A3			Replaced:
Date 23.7.18 By PLe			Drw No: A
Checked Sheet No: 1 (1) Ctrl			Ref: Cubo V Code: VFEP202015A