

ISO 2768-C GENERAL TOLERANCES
LINEAR AND ANGULAR DIMENSIONS

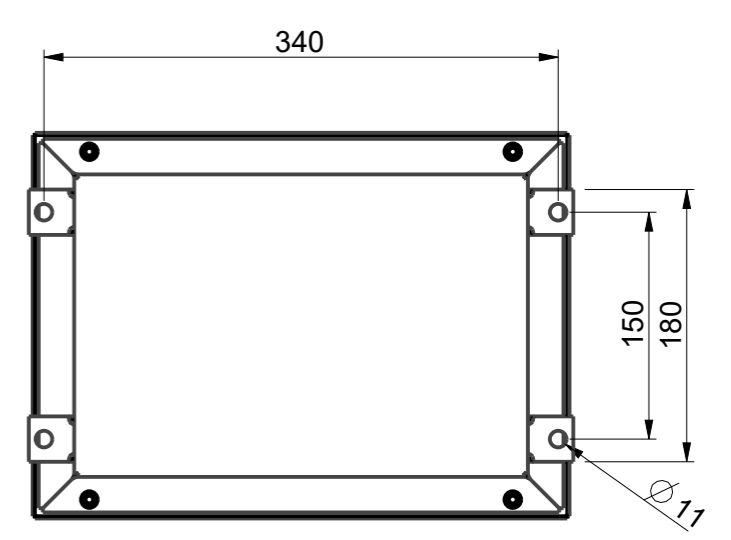
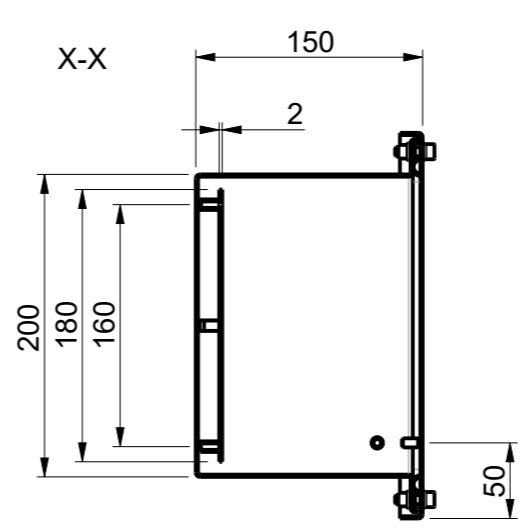
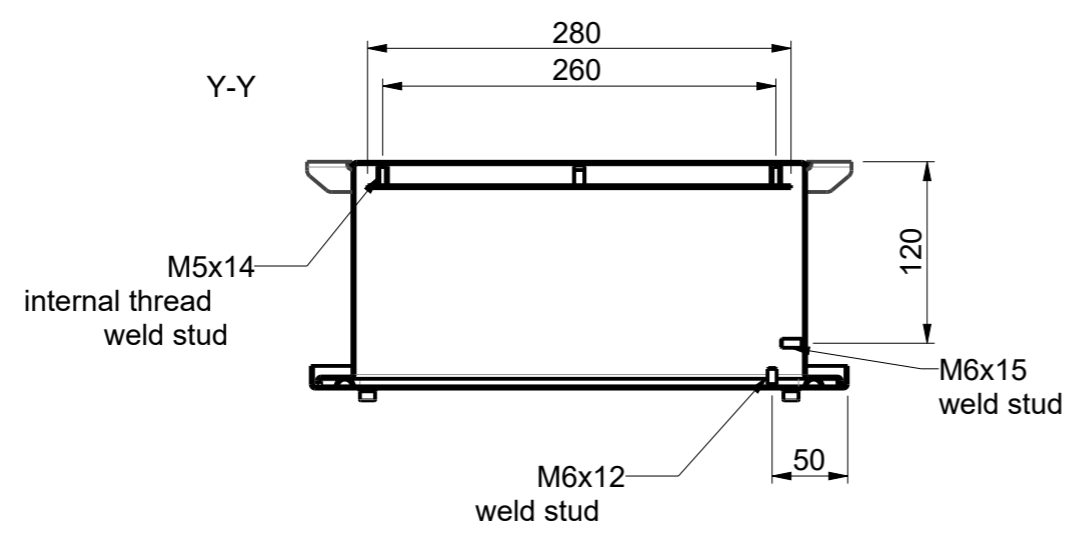
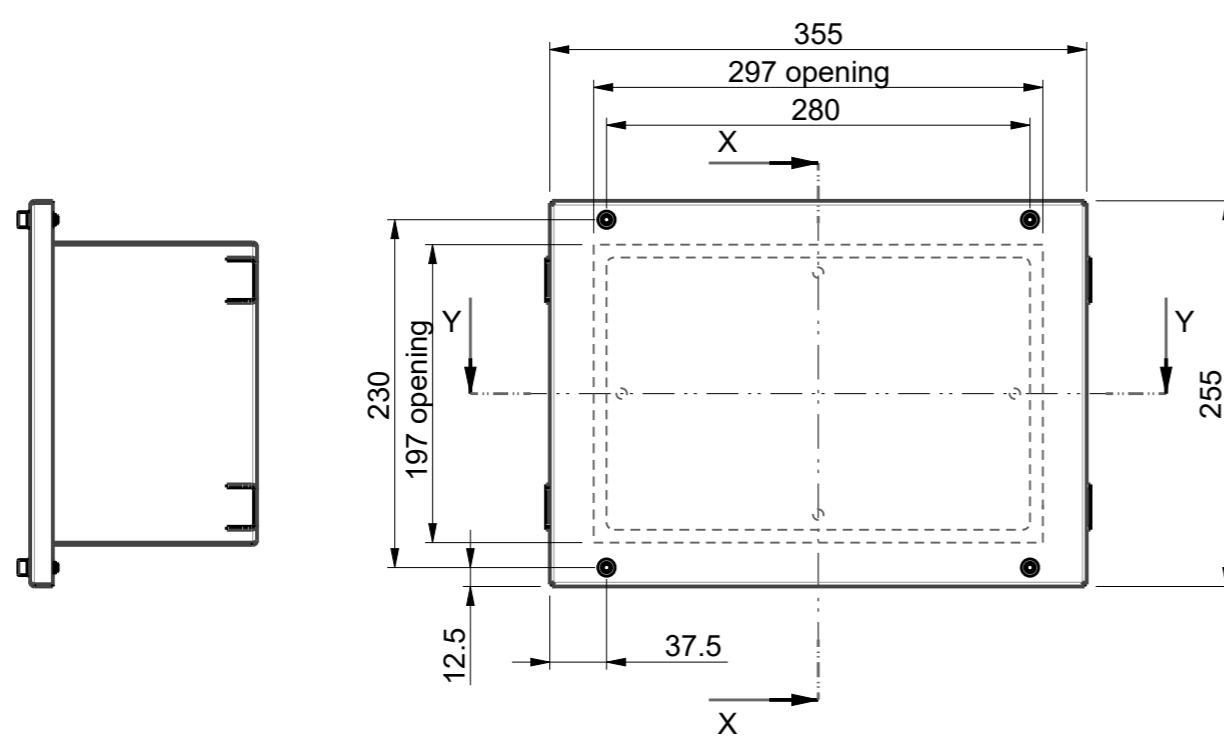
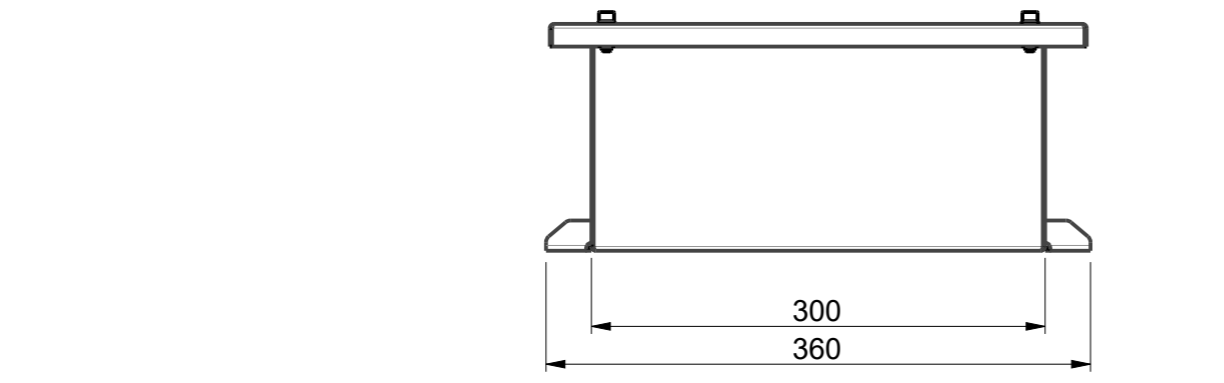
DIN 6930-C STAMPED STEEL PARTS
FLAT SURFACES / BENDINGS

ISO 13920-BG WELDINGS
WELDED CONSTRUCTIONS

Model
Drawing VFEP302015A.dwg

1 2 3 4 5 6 7 8

ID	Description	Date	By	Appr.
A	1.	23.7.18	PLe	



Part	Code	Description	Pcs	Weight [g/pcs]
5	PPE19204	Mounting Plate V3020	1	0
4	PPE19104	Lid VFE3020	1	0
3	PLF33	DIN912 M6x20 A4 hex socket screw	4	0
2	PUA84	DIN125 M6 A4 Washer	4	0
1	PPE19007	Base VFEP302015	1	0

Surface Treatment:	Color: RAL7035S	Weight [g]	3500
Material: Mild steel	Casemet Material:		

 Casemet Oy		Enclosure VFEP302015A	Replaces:
			Replaced:
Scale: 1:5	Date: 23.7.18	Replaces: Replaced: Drw No: A Ref: Cubo V Code: VFEP302015A	
A3	By: PLe		
Sheet No: 1 (1)	Checked:		