

ISO 2768-C GENERAL TOLERANCES  
LINEAR AND ANGULAR DIMENSIONS

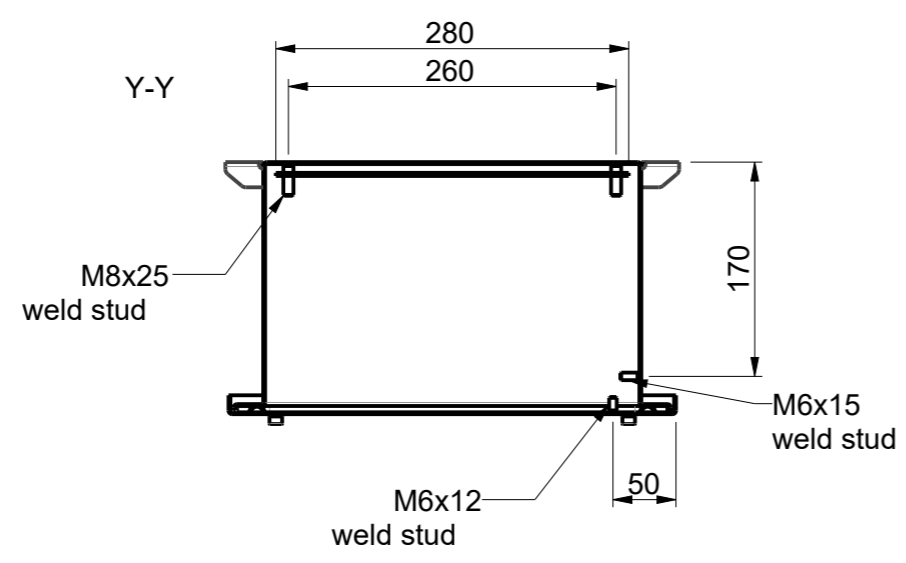
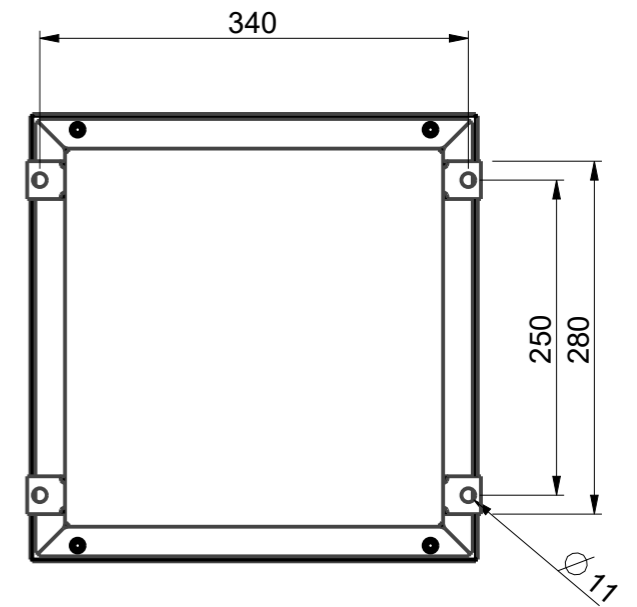
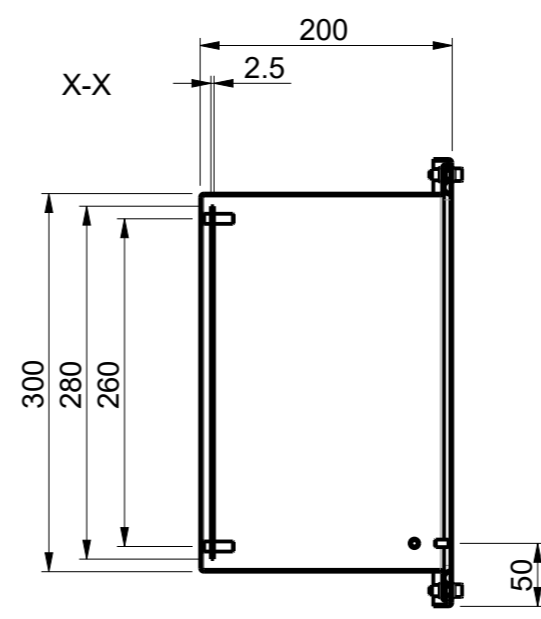
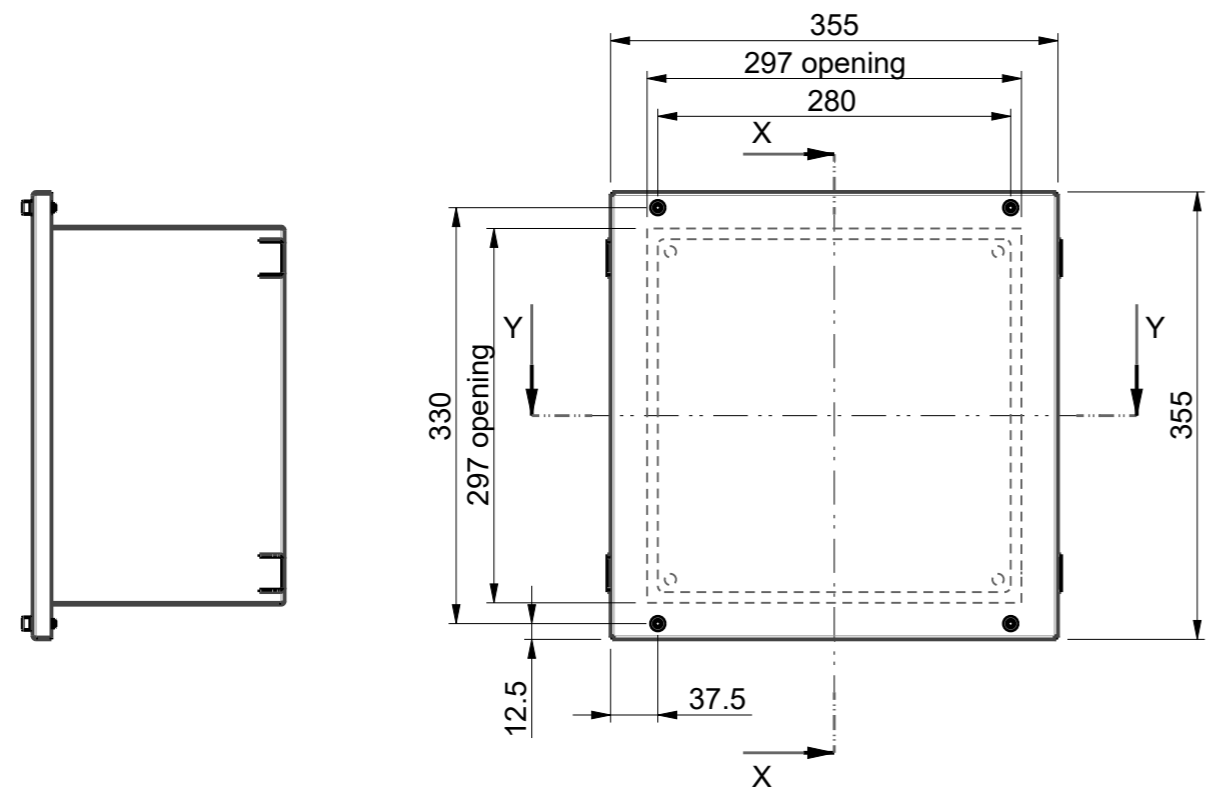
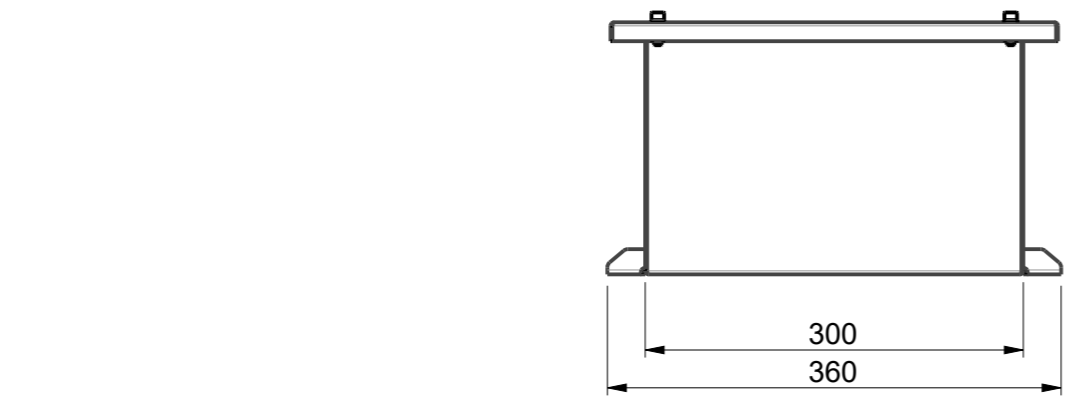
DIN 6930-C STAMPED STEEL PARTS  
FLAT SURFACES / BENDINGS

ISO 13920-BG WELDINGS  
WELDED CONSTRUCTIONS

Model  
Drawing VFEP303020A.dwg

1 2 3 4 5 6 7 8

ID	Description	Date	By	Appr.
A	1.	23.7.18	PLe	



Part	Code	Description	Pcs	Weight [g/pcs]
5	PPE19208	Mounting Plate V3030	1	0
4	PPE19108	Lid VFE3030	1	0
3	PLF33	DIN912 M6x20 A4 hex socket screw	4	0
2	PUA84	DIN125 M6 A4 Washer	4	0
1	PPE19008	Base VFEP303020	1	0

Surface Treatment: Color: RAL7035S Weight [g] 6000

Material: Mild steel Casemet Material:

			Enclosure VFEP303020A	Replaces:
Casemet Oy				Replaced:
Scale	Date	23.7.18	Drw No: <b>A</b>	Ref: <b>Cubo V</b>
1:6	By	PLe		Code: <b>VFEP303020A</b>
A3	Checked			
Sheet No: 1 (1)	Ctrl			