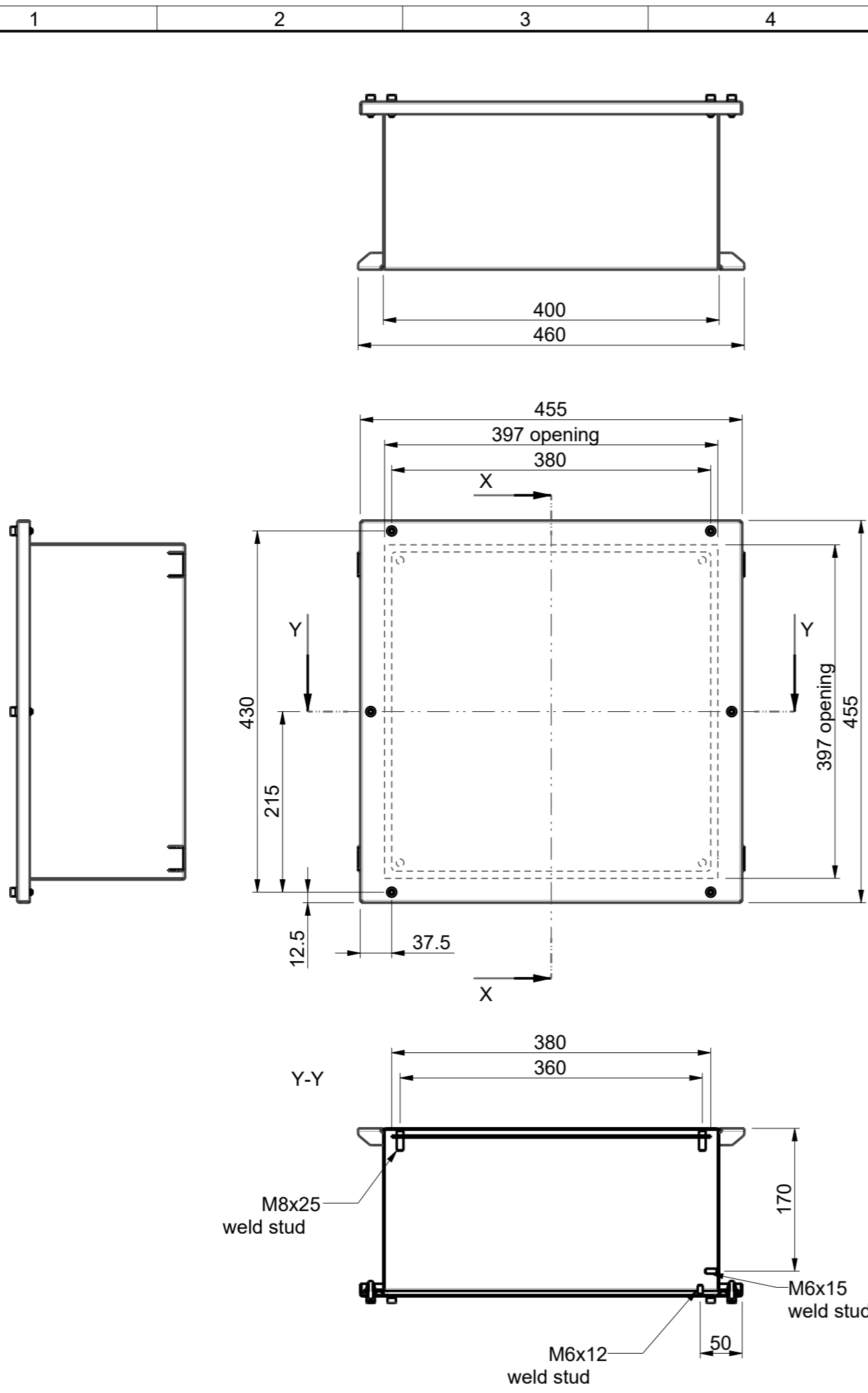


ISO 2768-C GENERAL TOLERANCES  
LINEAR AND ANGULAR DIMENSIONS

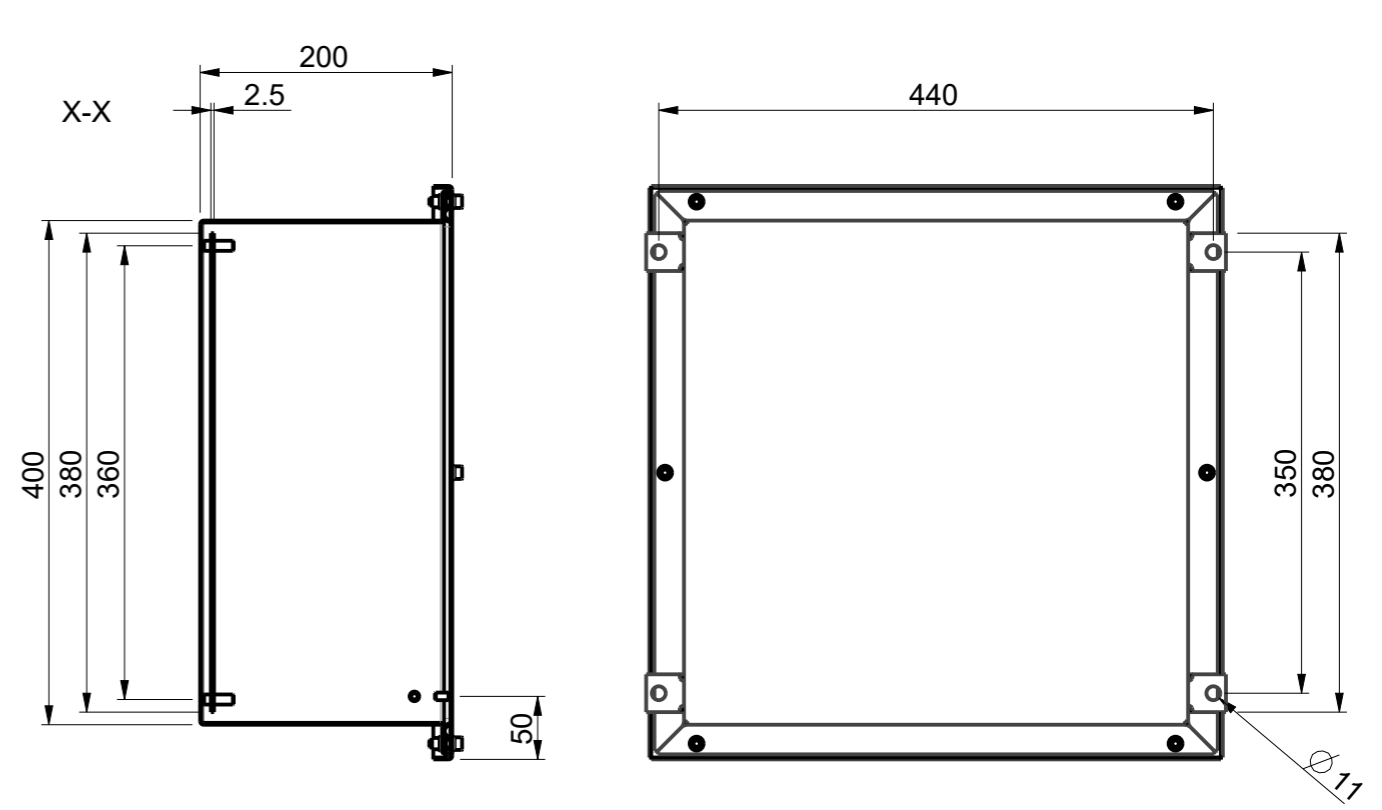
DIN 6930-C STAMPED STEEL PARTS  
FLAT SURFACES / BENDINGS

ISO 13920-BG WELDINGS  
WELDED CONSTRUCTIONS

Model  
Drawing VFEP404020A.dwg



ID	Description	Date	By	Appr.
A	1.	23.7.18	PLe	



Part	Code	Description	Pcs	Weight [g/pcs]
5	PPE19210	Mounting Plate V4040	1	0
4	PPE19110	Lid VFE4040	1	0
3	PLF33	DIN912 M6x20 A4 hex socket screw	6	0
2	PUA84	DIN125 M6 A4 Washer	6	0
1	PPE19010	Base VFEP404020	1	0

Surface Treatment:		Color: RAL7035S	Weight [g]	10000
Material: Mild steel		Casemet Material:		
 Casemet Oy		 Enclosure VFEP404020A	Replaces:	
Scale: 1:6			Replaced:	
Date: 23.7.18	By: PLe		Drw No: A	
Checked:	Ctrl:		Ref: Cubo V	
Sheet No: 1 (1)		Code: VFEP404020A		