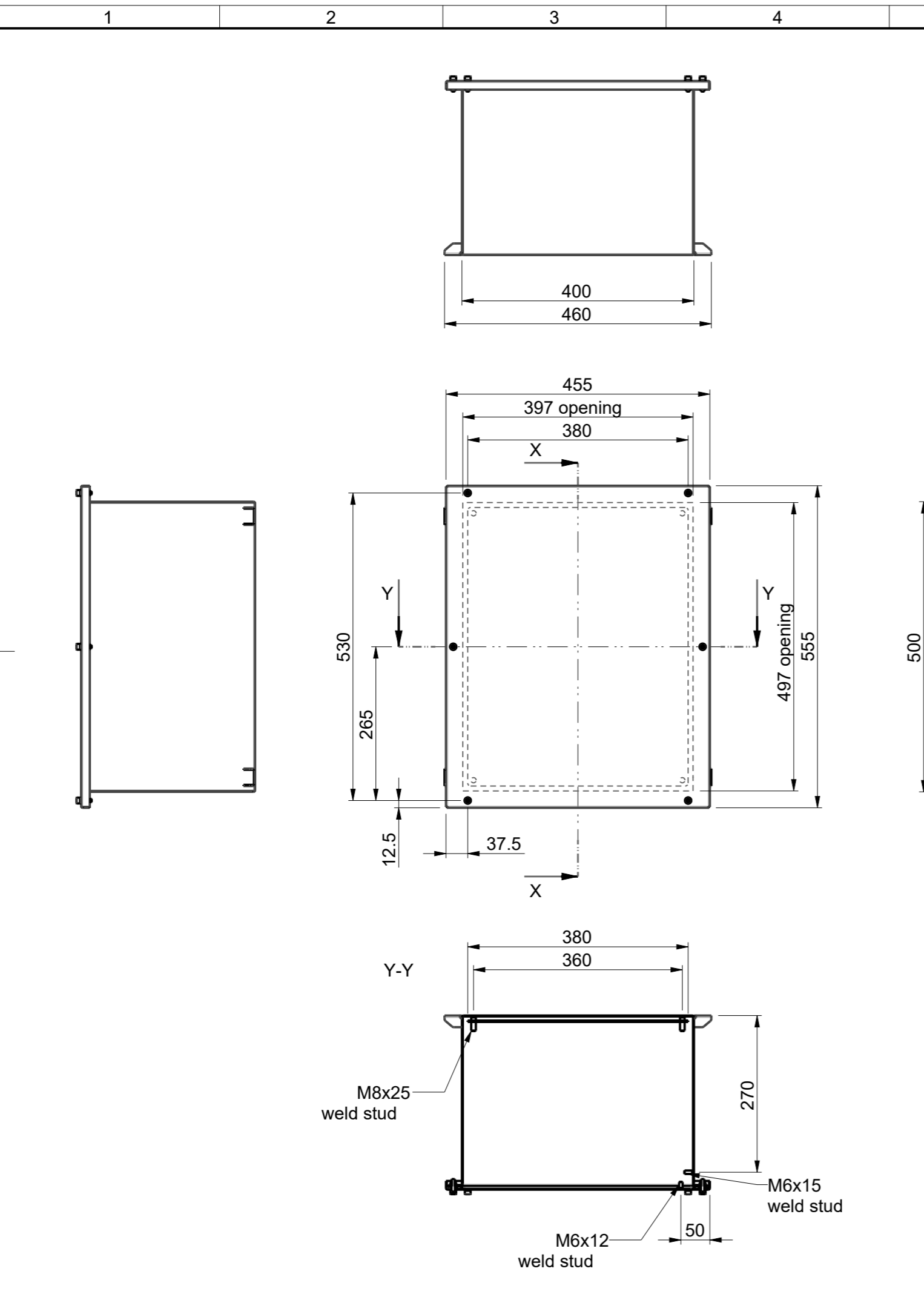


ISO 2768-C GENERAL TOLERANCES
LINEAR AND ANGULAR DIMENSIONS

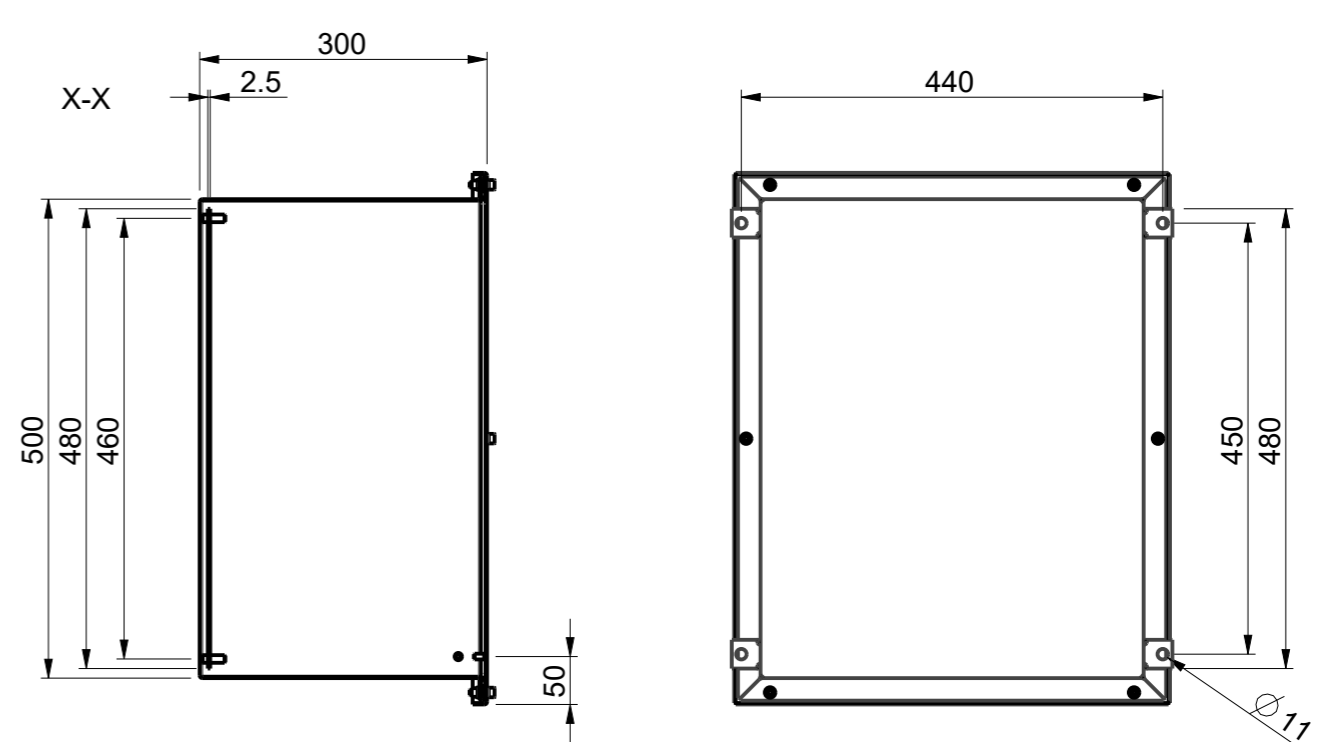
DIN 6930-C STAMPED STEEL PARTS
FLAT SURFACES / BENDINGS

ISO 13920-BG WELDINGS
WELDED CONSTRUCTIONS

Model
Drawing VFEP405030A.dwg



ID	Description	Date	By	Appr.
A	1.	23.7.18	PLe	



Part	Code	Description	Pcs	Weight [g/pcs]
5	PPE19212	Mounting Plate V4050	1	0
4	PPE19112	Lid VFE4050	1	0
3	PLF33	DIN912 M6x20 A4 hex socket screw	6	0
2	PUA84	DIN125 M6 A4 Washer	6	0
1	PPE19013	Base VFEP405030	1	0

Surface Treatment:		Color: RAL7035S		Weight [g]	13000
Material: Mild steel		Casemet Material:			
CASEMET Casemet Oy		Enclosure VFEP405030A		Replaces:	
Scale: 19:150 A3		Date: 23.7.18 By: PLe Checked:	Replaced:		
Sheet No: 1 (1)		Ctrl:	Drw No: A		Ref: Cubo V
			Code: VFEP405030A		