

ISO 2768-C GENERAL TOLERANCES
LINEAR AND ANGULAR DIMENSIONS

DIN 6930-C STAMPED STEEL PARTS
FLAT SURFACES / BENDINGS

ISO 13920-BG WELDINGS
WELDED CONSTRUCTIONS

Model
Drawing VFEP406040A.dwg

1

2

3

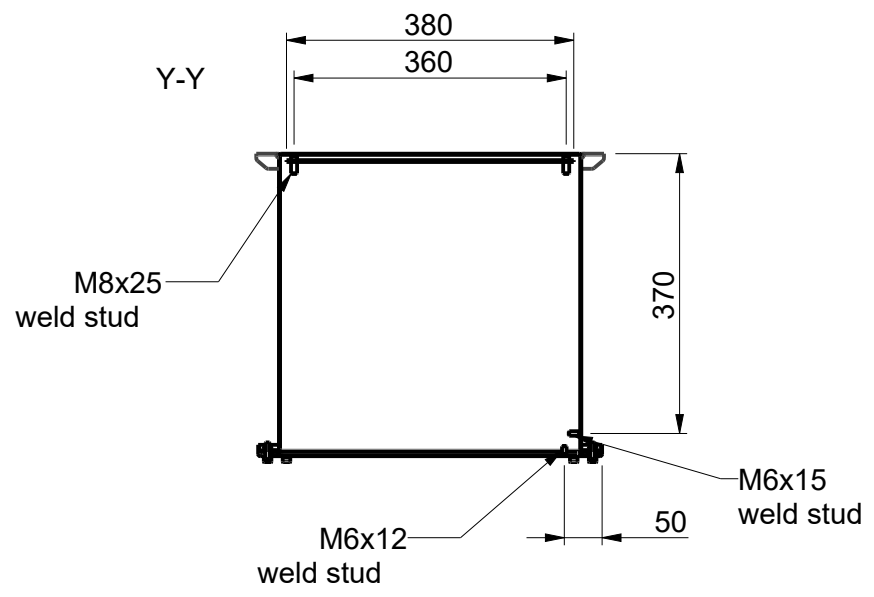
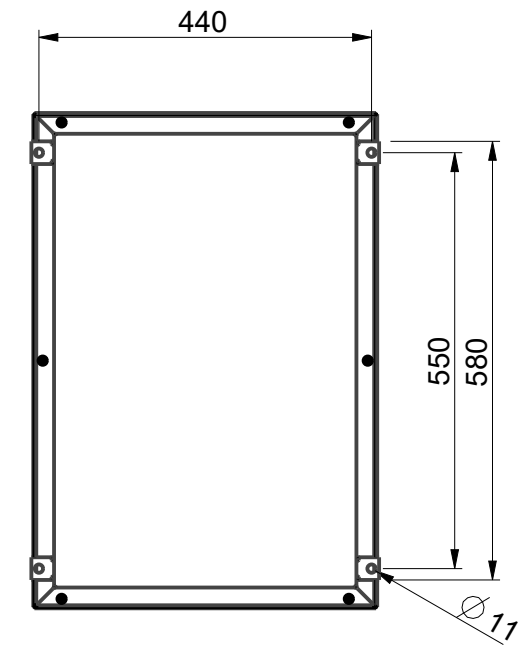
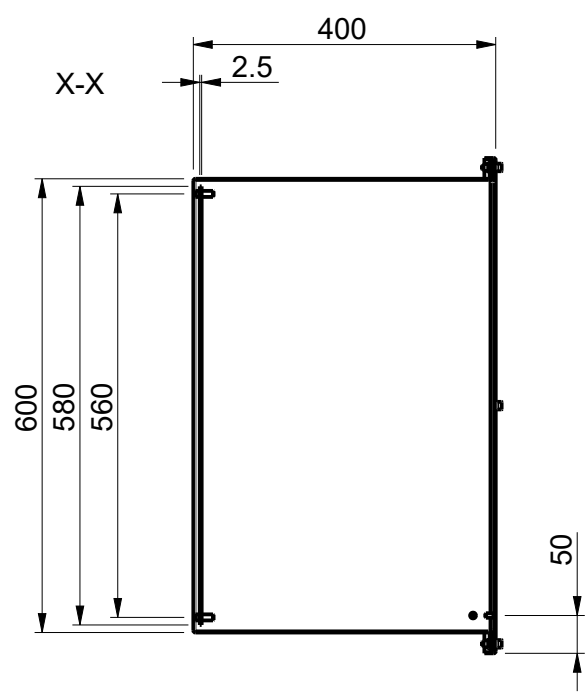
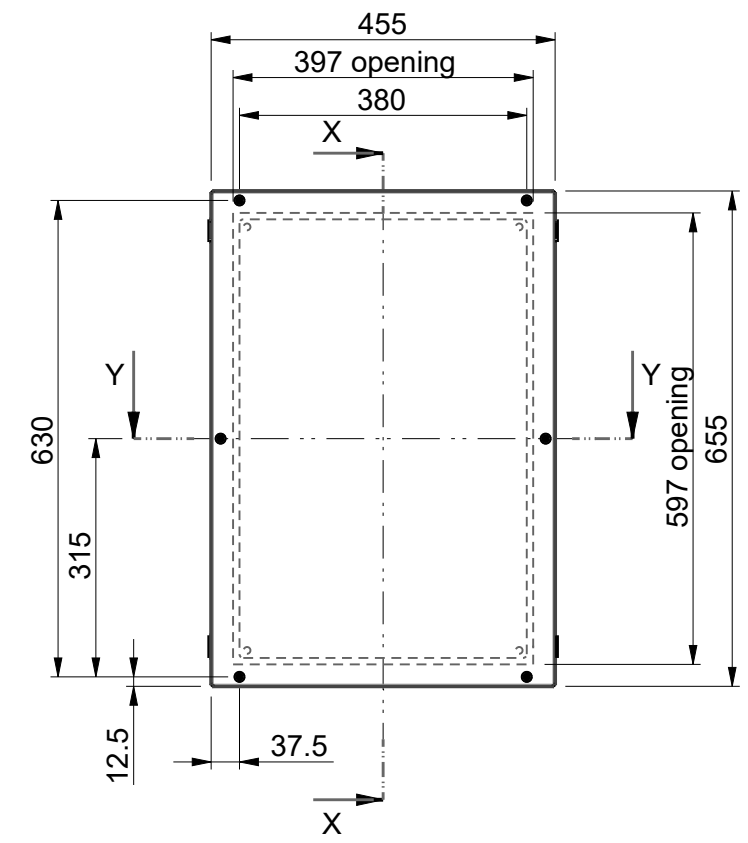
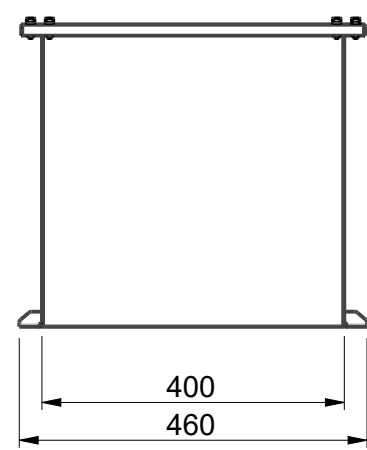
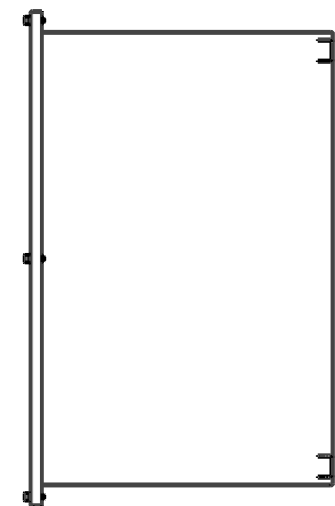
4

5

6

7

8



ID	Description	Date	By	Appr.
A	1.	23.7.18	PLe	

Part	Code	Description	Pcs	Weight [g/pcs]
5	PPE19214	Mounting Plate V4060	1	0
4	PPE19114	Lid VFE4060	1	0
3	PLF33	DIN912 M6x20 A4 hex socket screw	6	0
2	PUA84	DIN125 M6 A4 Washer	6	0
1	PPE19016	Base VFEP406040	1	0

Surface Treatment:	Color: RAL7035S	Weight [g]	17000
Material: Mild steel	Casemet Material:		

			Enclosure VFEP406040A	Replaces:
Casemet Oy				Replaced:
Scale	Date	23.7.18	Drw No: A Ref: Cubo V Code: VFEP406040A	
1:10	By	PLe		
	Checked			
Sheet No: 1 (1)	Ctrl			