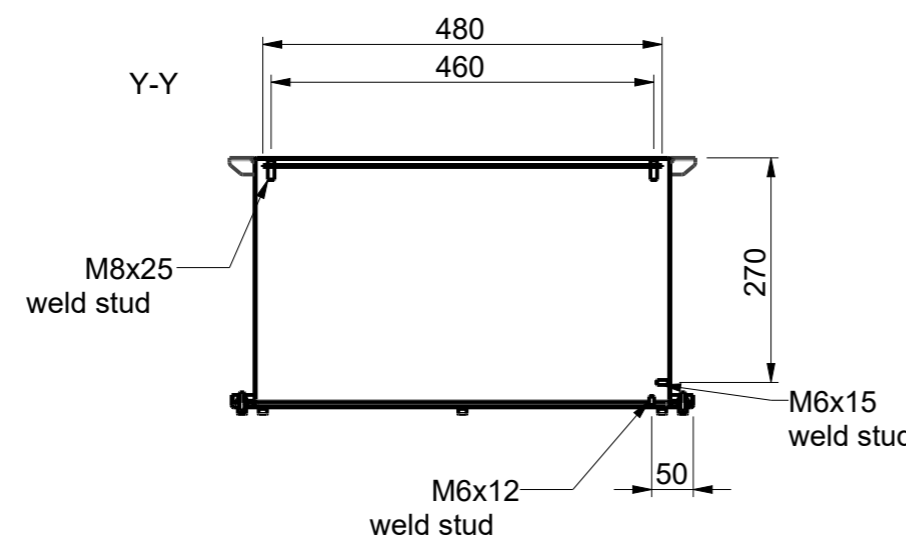
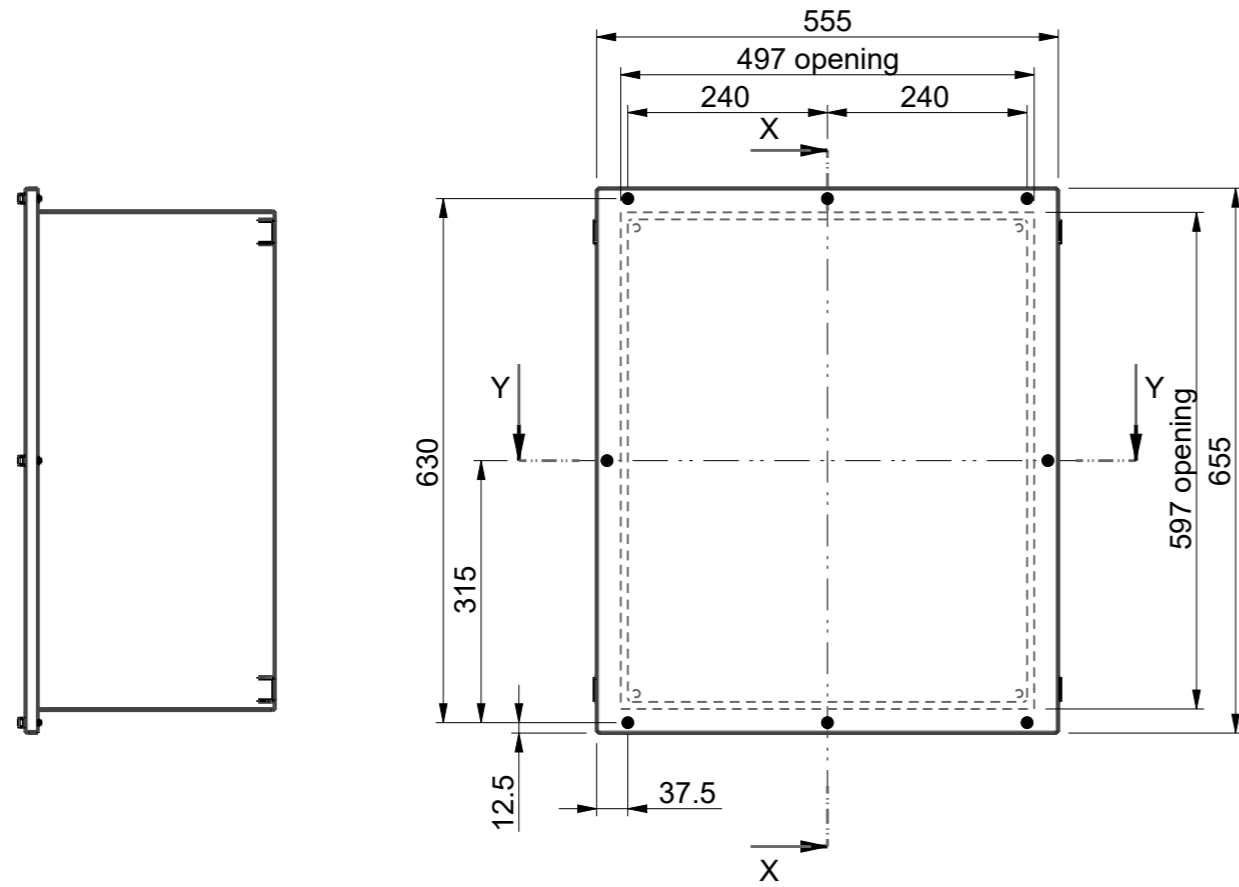
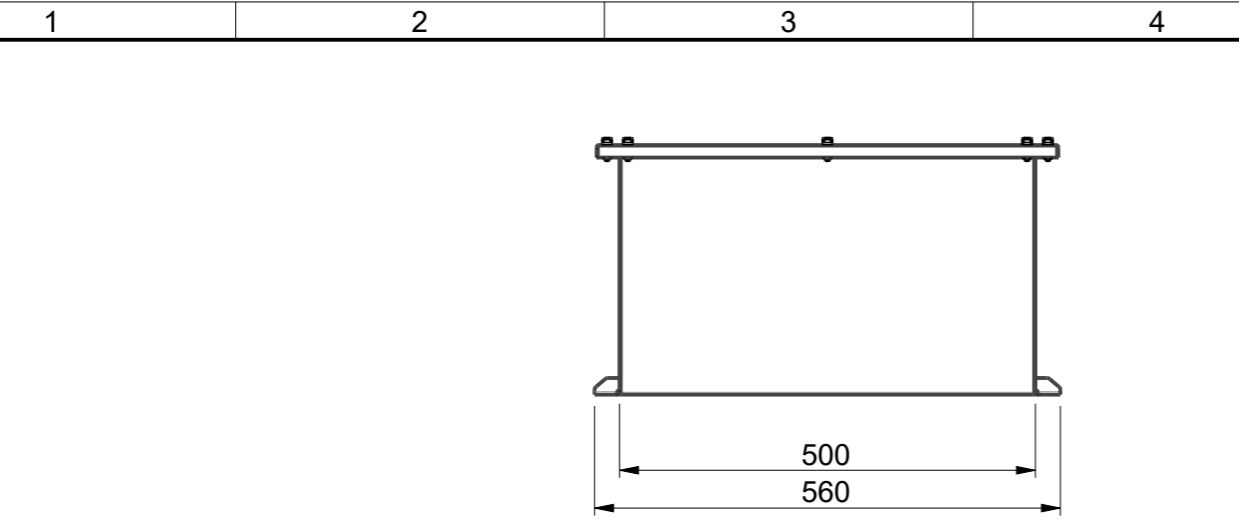


ISO 2768-C GENERAL TOLERANCES
LINEAR AND ANGULAR DIMENSIONS

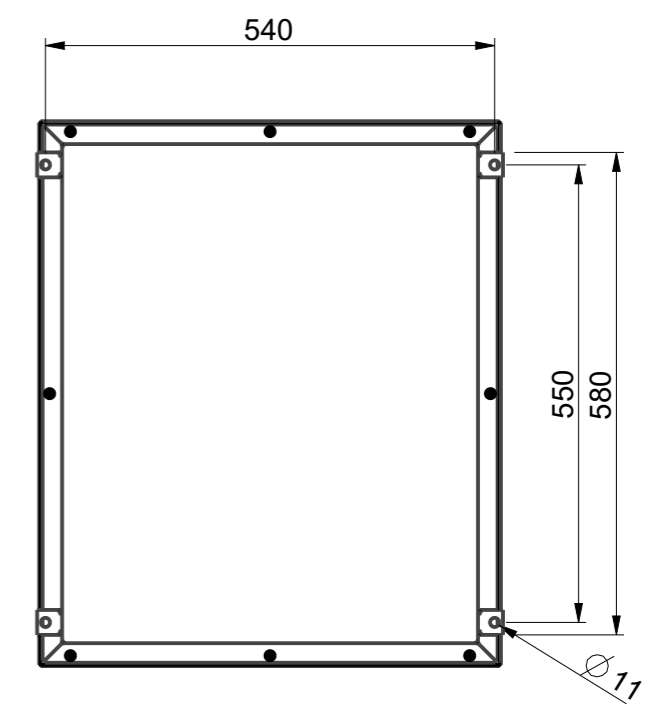
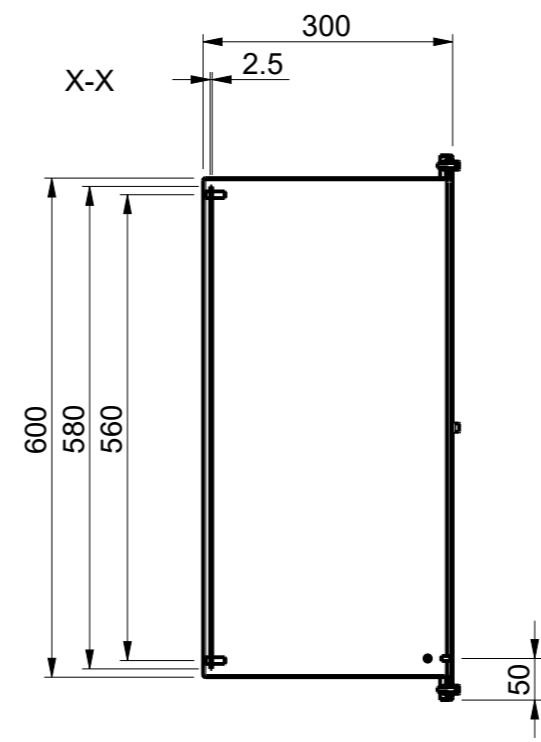
DIN 6930-C STAMPED STEEL PARTS
FLAT SURFACES / BENDINGS

ISO 13920-BG WELDINGS
WELDED CONSTRUCTIONS

Model
Drawing VFEP506030A.dwg



ID	Description	Date	By	Appr.
A	1.	23.7.18	PLe	



Part	Code	Description	Pcs	Weight [g/pcs]
5	PPE19217	Mounting Plate V5060	1	0
4	PPE19117	Lid VFE5060	1	0
3	PLF33	DIN912 M6x20 A4 hex socket screw	8	0
2	PUA84	DIN125 M6 A4 Washer	8	0
1	PPE19018	Base VFEP506030	1	0

Surface Treatment:	Color: RAL7035S	Weight [g]	20000
Material: Mild steel	Casemet Material:		

			Enclosure VFEP506030A	Replaces:
Casemet Oy				Replaced:
Scale	Date	23.7.18	Drw No: A	Ref:
11:100	By	PLe		Cubo V
A3	Checked			Code: VFEP506030A
Sheet No: 1 (1)	Ctrl			