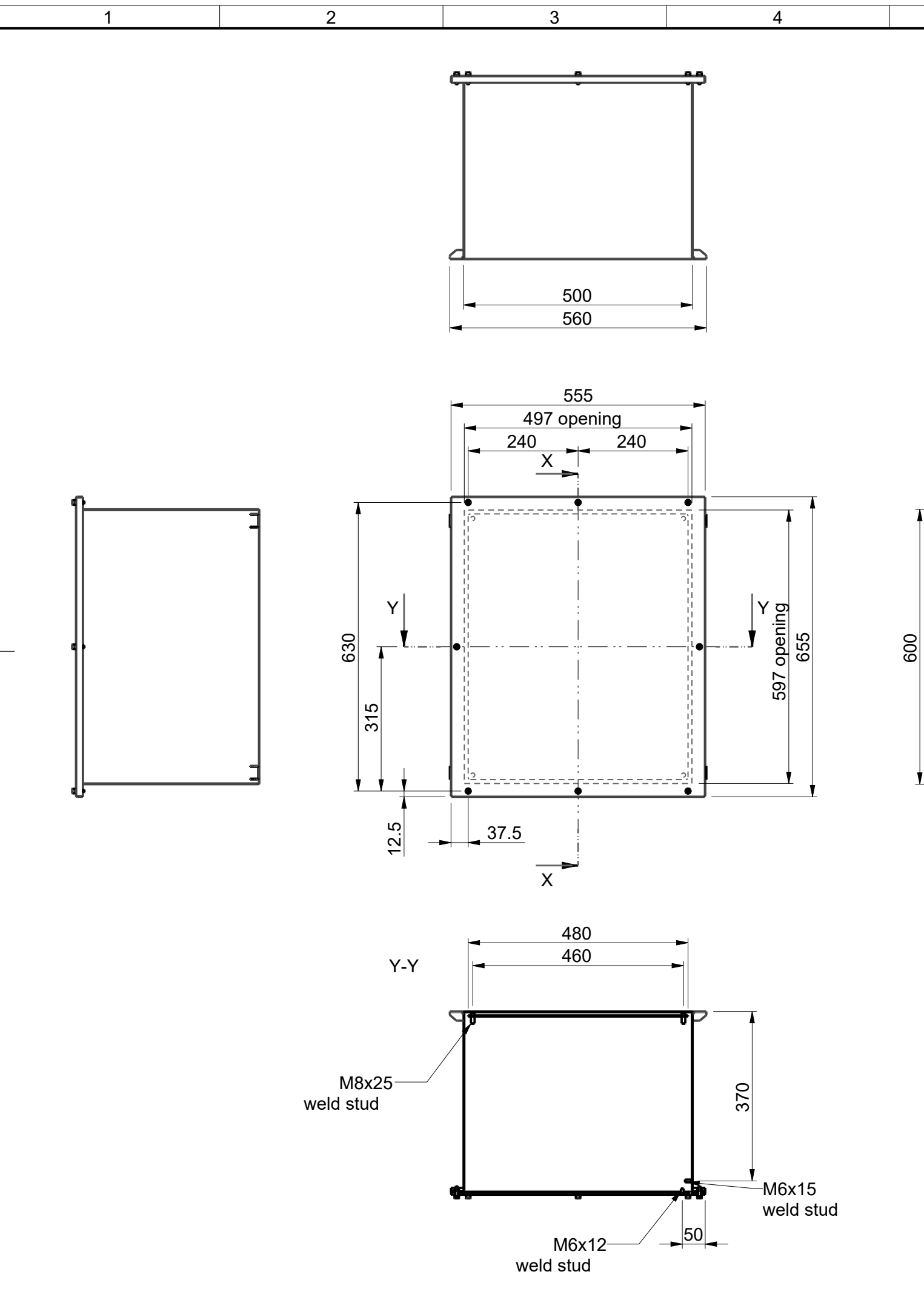


ISO 2768-C GENERAL TOLERANCES  
LINEAR AND ANGULAR DIMENSIONS

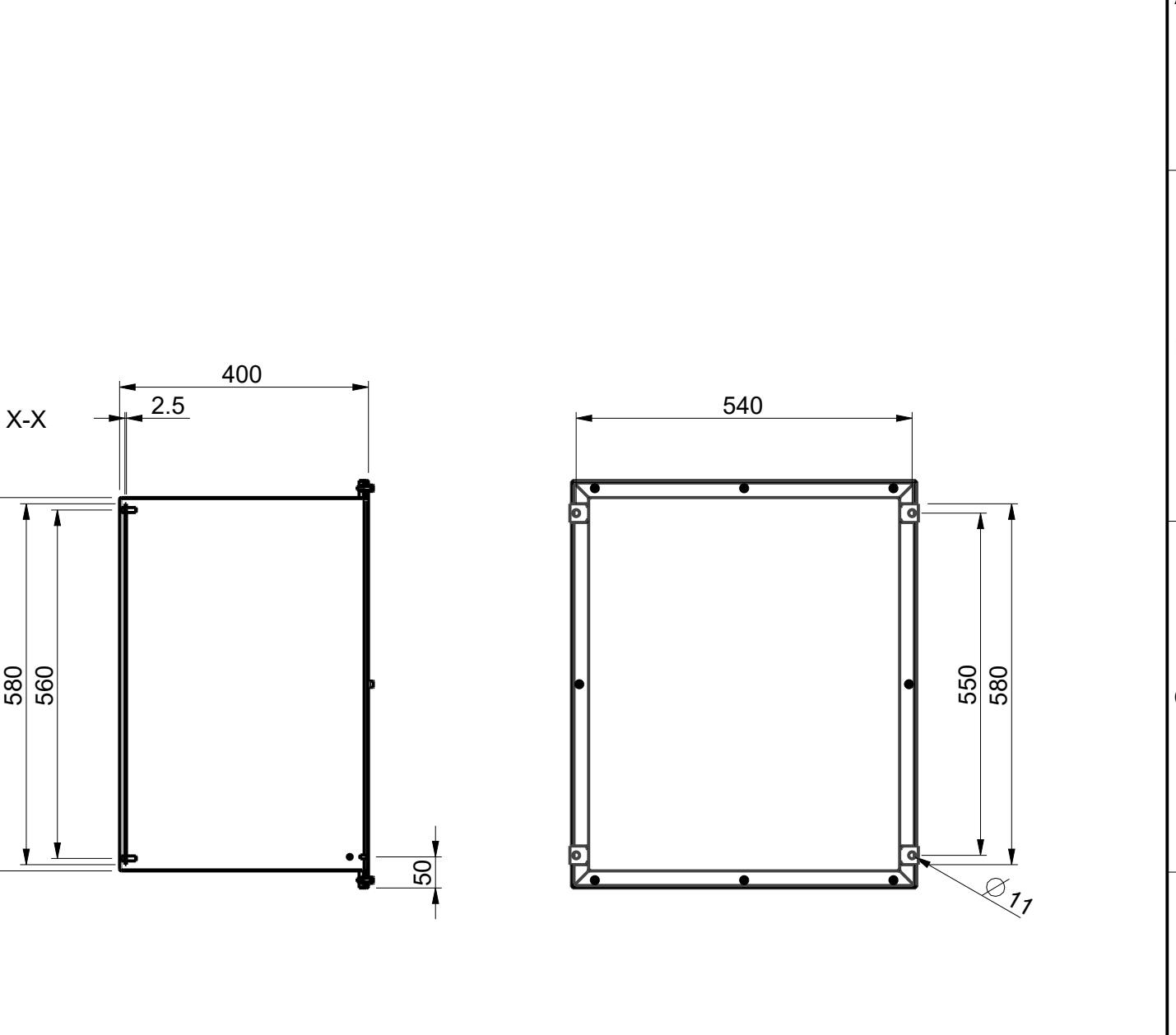
DIN 6930-C STAMPED STEEL PARTS  
FLAT SURFACES / BENDINGS

ISO 13920-BG WELDINGS  
WELDED CONSTRUCTIONS

Model  
Drawing VFEP506040A.dwg



ID	Description	Date	By	Appr.
A	1.	23.7.18	PLe	



Part	Code	Description	Pcs	Weight [g/pcs]
5	PPE19217	Mounting Plate V5060	1	0
4	PPE19117	Lid VFE5060	1	0
3	PLF33	DIN912 M6x20 A4 hex socket screw	8	0
2	PUA84	DIN125 M6 A4 Washer	8	0
1	PPE19019	Base VFEP506040	1	0

Surface Treatment:		Color: RAL7035S		Weight [g]	22000
Material: Mild steel		Casemet Material:			
 Casemet Oy				Enclosure VFEP506040A	
Scale	Date	Replaces:			
1:10	23.7.18	Replaced:			
A3	By	Drw No: A			
	Checked	Ref: Cubo V			
Sheet No: 1 (1)	Ctrl	Code: VFEP506040A			