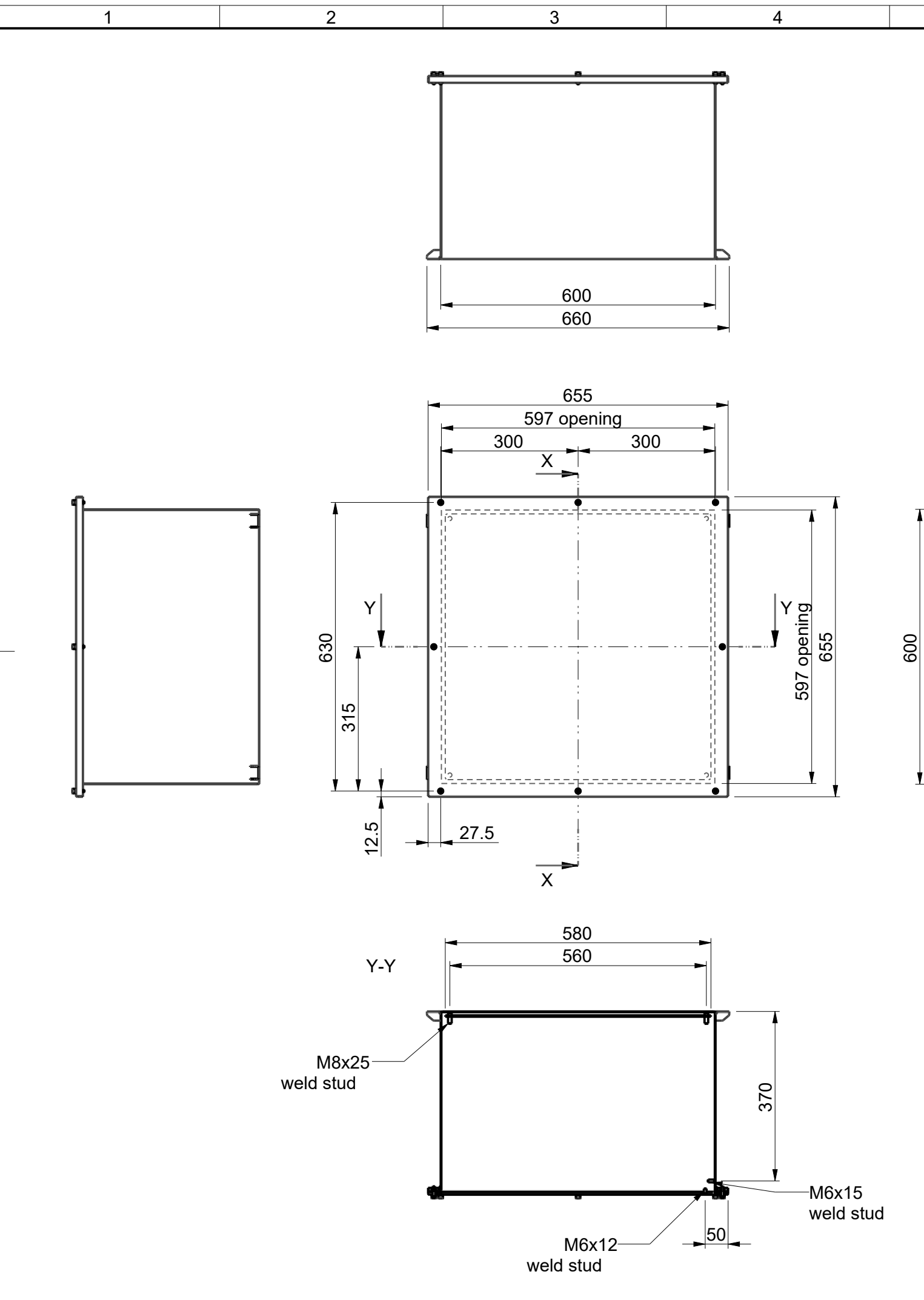


ISO 2768-C GENERAL TOLERANCES
LINEAR AND ANGULAR DIMENSIONS

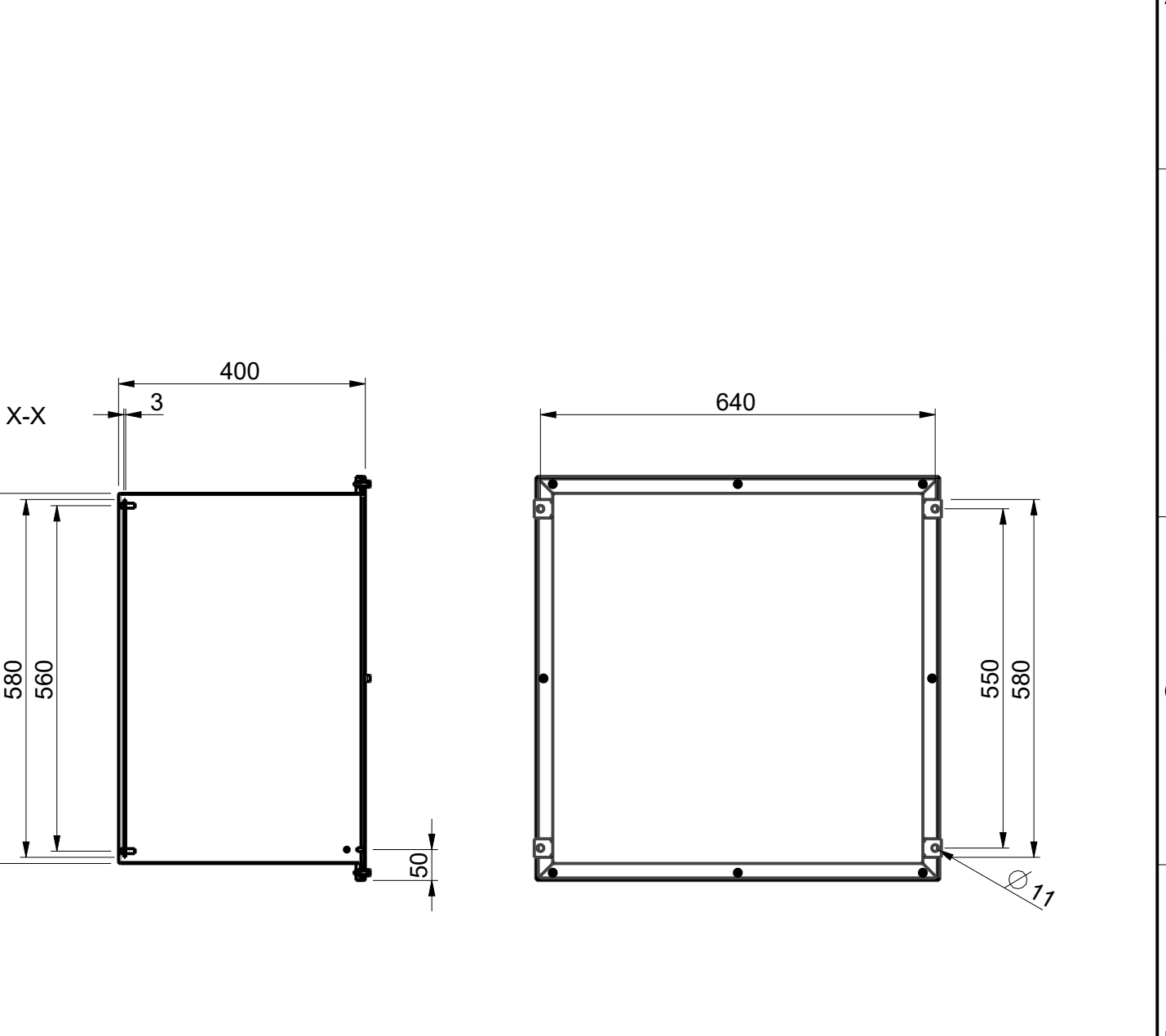
DIN 6930-C STAMPED STEEL PARTS
FLAT SURFACES / BENDINGS

ISO 13920-BG WELDINGS
WELDED CONSTRUCTIONS

Model
Drawing VFEP606040A.dwg



| ID | Description | Date | By | Appr. |
|----|-------------|---------|-----|-------|
| A | 1. | 23.7.18 | PLe | |



| Part | Code | Description | Pcs | Weight [g/pcs] |
|------|----------|----------------------------------|-----|----------------|
| 5 | PPE19220 | Mounting Plate V6060 | 1 | 0 |
| 4 | PPE19120 | Lid VFE6060 | 1 | 0 |
| 3 | PLF33 | DIN912 M6x20 A4 hex socket screw | 8 | 0 |
| 2 | PUA84 | DIN125 M6 A4 Washer | 8 | 0 |
| 1 | PPE19022 | Base VFEP606040 | 1 | 0 |

| | | | | | |
|----------------------|---------|-------------------|--|-----------------------|-------|
| Surface Treatment: | | Color: RAL7035S | | Weight [g] | 30000 |
| Material: Mild steel | | Casemet Material: | | | |
| Casemet Oy | | | | Enclosure VFEP606040A | |
| Scale | Date | Replaces: | | | |
| 1:10 | 23.7.18 | Replaced: | | | |
| A3 | By PLe | Drw No: A | | | |
| Sheet No: 1 (1) | Checked | Ref: Cubo V | | | |
| | Ctrl | Code: VFEP606040A | | | |