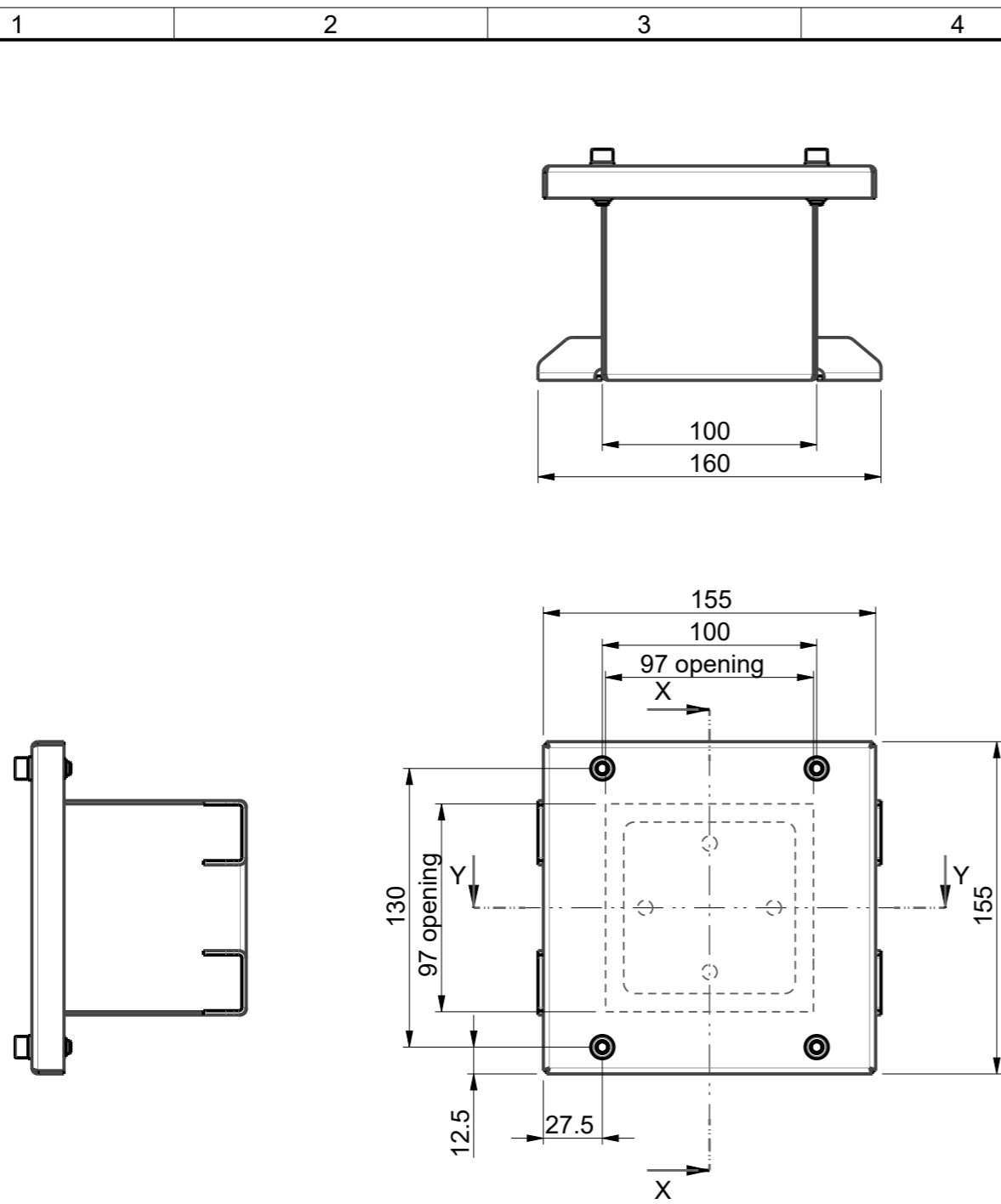


ISO 2768-C GENERAL TOLERANCES  
LINEAR AND ANGULAR DIMENSIONS

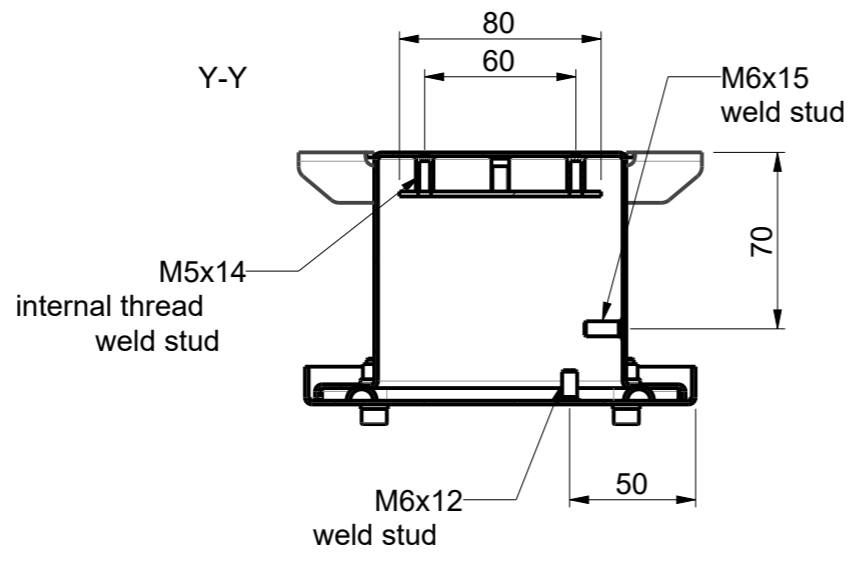
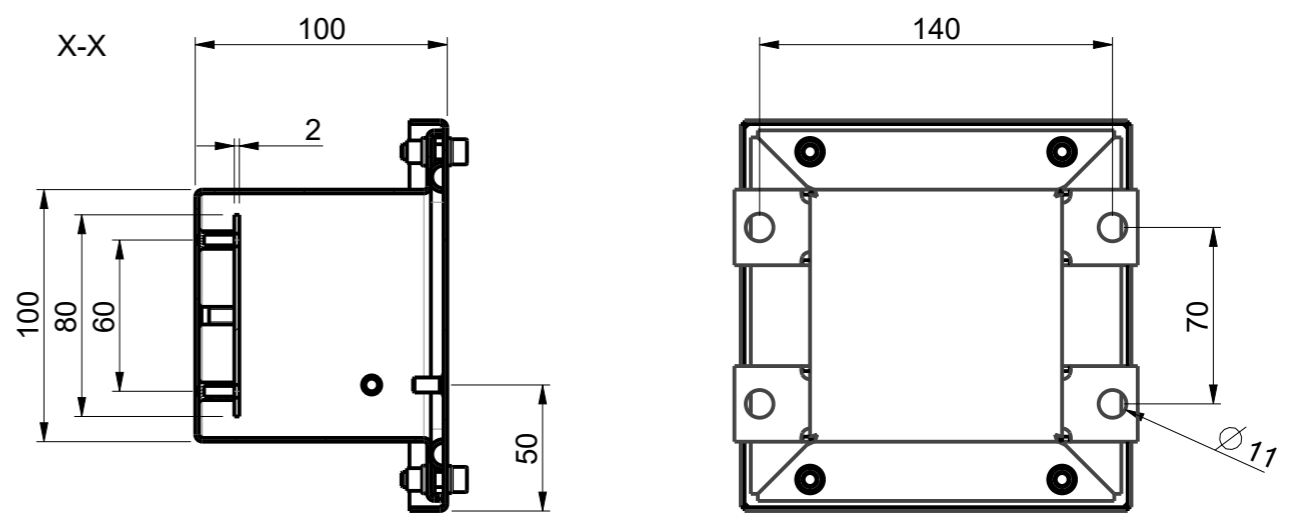
DIN 6930-C STAMPED STEEL PARTS  
FLAT SURFACES / BENDINGS

ISO 13920-BG WELDINGS  
WELDED CONSTRUCTIONS

Model  
Drawing VSSP101010.dwg



ID	Description	Date	By	Appr.
A	1.	23.7.18	PLe	



Part	Code	Description	Pcs	Weight [g/pcs]
5	PPE19201	Mounting Plate V1010	1	0
4	RST12101	Lid VSS1010	1	0
3	PLF33	DIN912 M6x20 A4 hex socket screw	4	0
2	PUA84	DIN125 M6 A4 Washer	4	0
1	RST12001	Base VSSP101010	1	0

Surface Treatment: Color: - Weight [g] 1000

Material: Stainless steel Casemet Material:

			Enclosure VSSP101010	Replaces:
Casemet Oy				Replaced:
Scale	Date	23.7.18	Replaces: Replaced: Drw No: <b>A</b> Ref: <b>Cubo V</b> Code: <b>VSSP101010</b>	
1:3	By	PLe		
A3	Checked			
Sheet No: 1 (1)	Ctrl			