

ISO 2768-C GENERAL TOLERANCES  
LINEAR AND ANGULAR DIMENSIONS

DIN 6930-C STAMPED STEEL PARTS  
FLAT SURFACES / BENDINGS

ISO 13920-BG WELDINGS  
WELDED CONSTRUCTIONS

Model  
Drawing VSSP404030.dwg

1

2

3

4

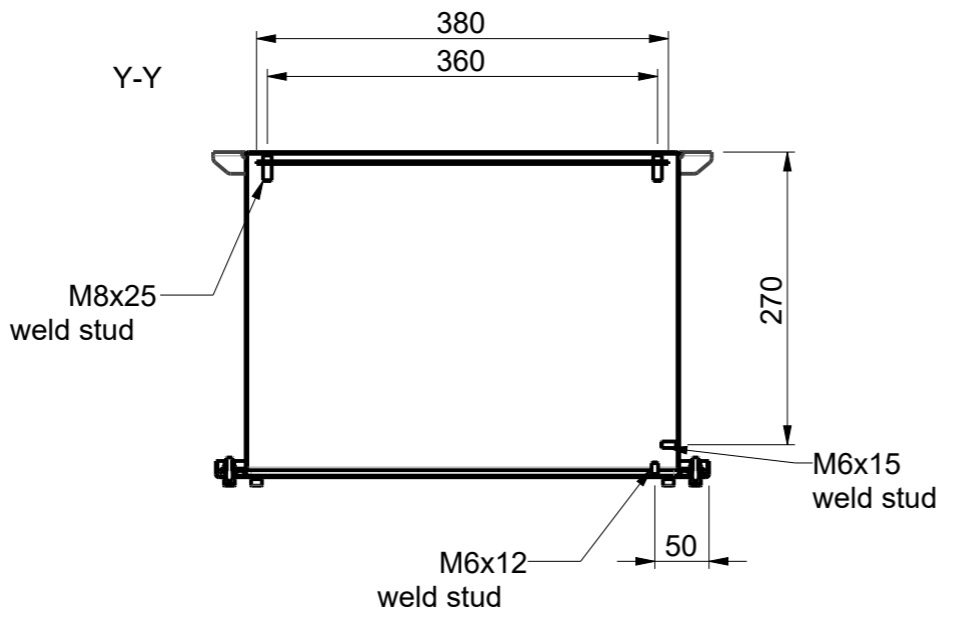
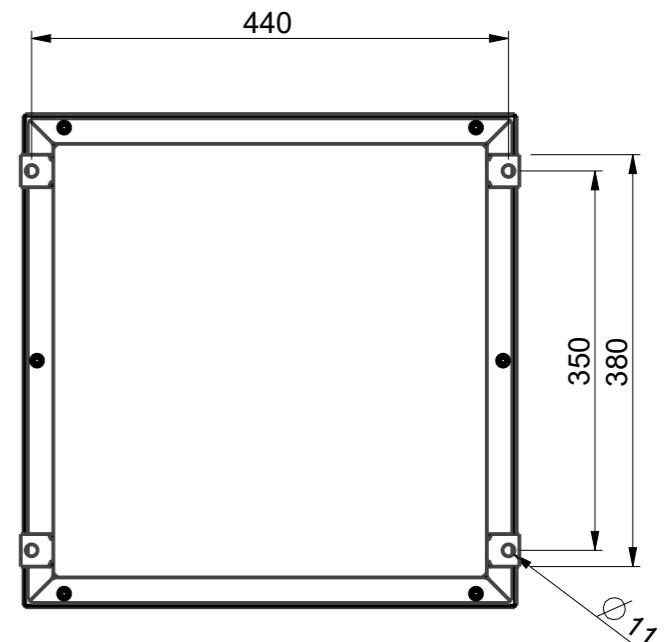
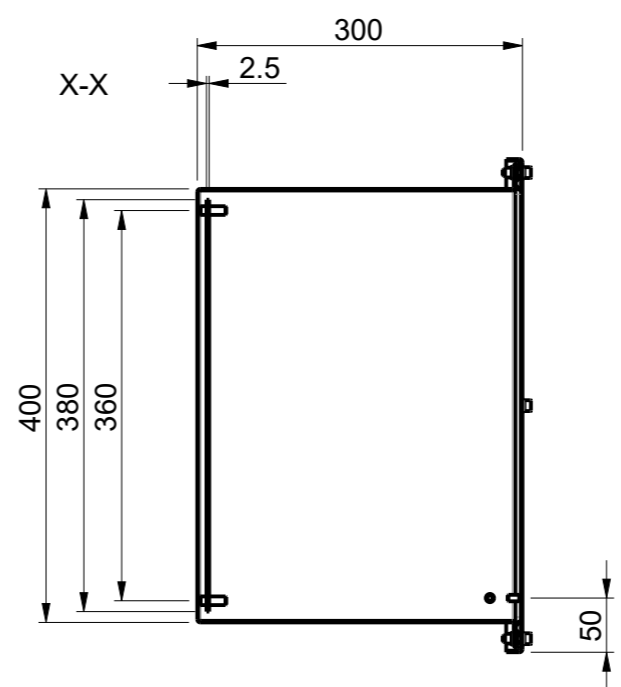
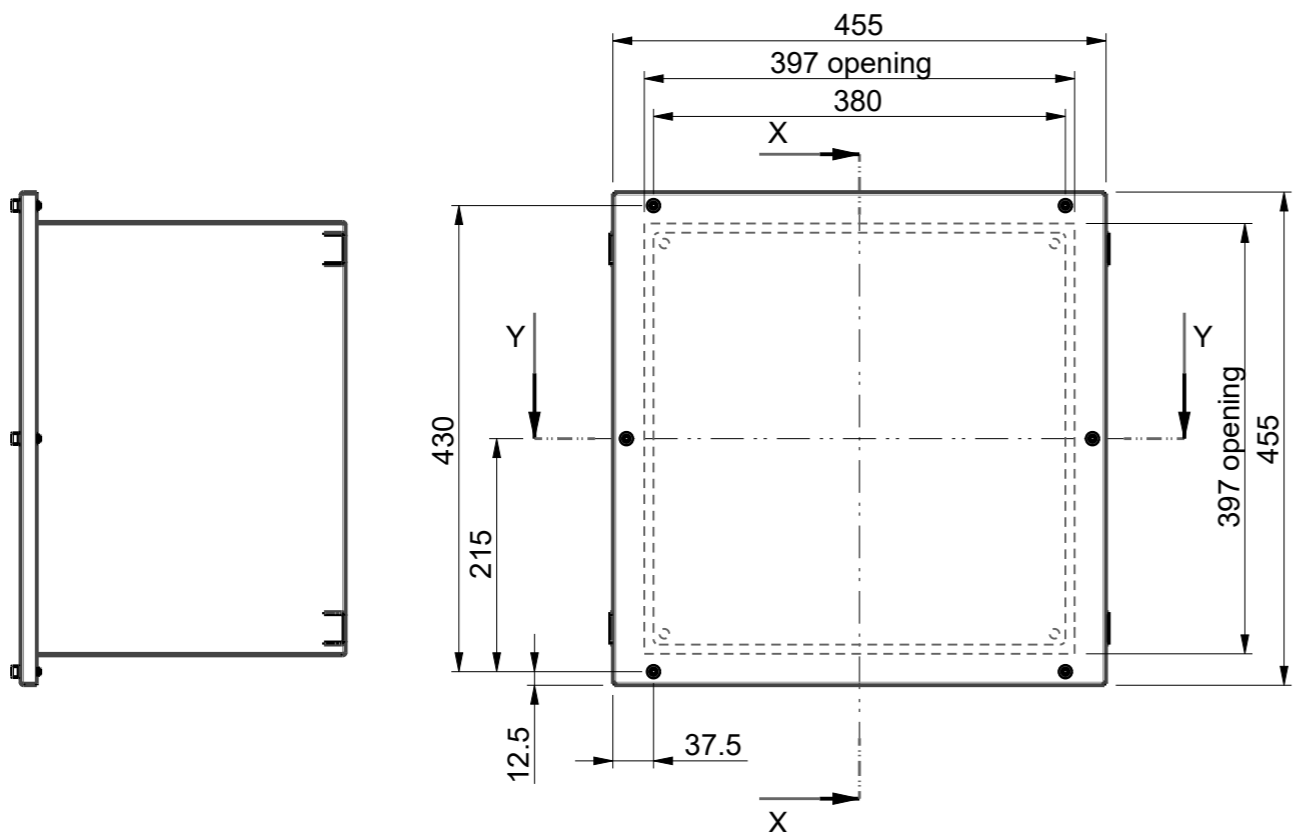
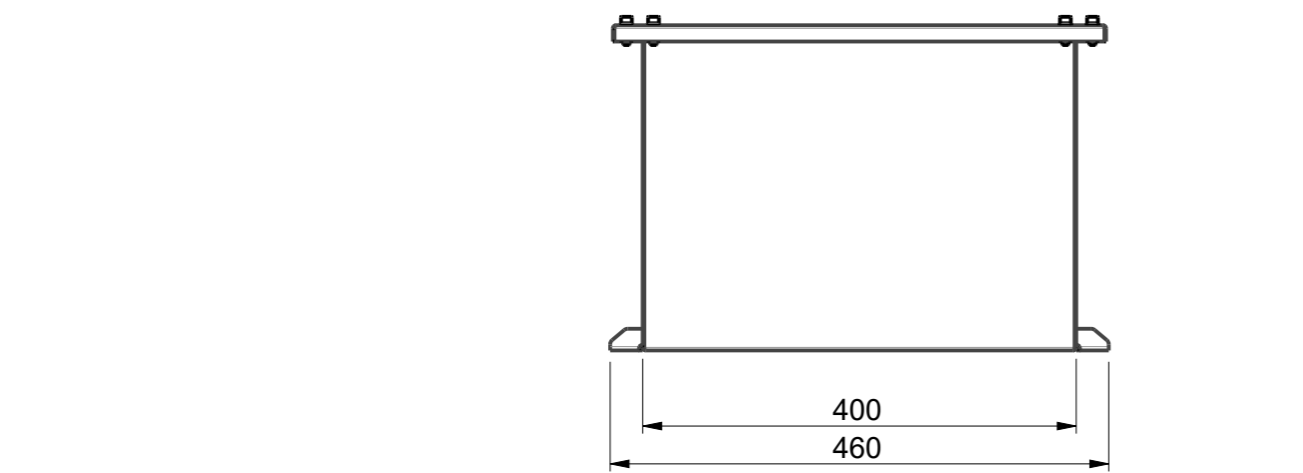
5

6

7

8

ID	Description	Date	By	Appr.
A	1.	23.7.18	PLe	



Part	Code	Description	Pcs	Weight [g/pcs]
5	PPE19210	Mounting Plate V4040	1	0
4	RST12110	Lid VSS4040	1	0
3	PLF33	DIN912 M6x20 A4 hex socket screw	6	0
2	PUA84	DIN125 M6 A4 Washer	6	0
1	RST12011	Base VSSP404030	1	0

Surface Treatment: Color: - Weight [g] 11000

Material: Stainless steel Casemet Material:

			Enclosure VSSP404030	Replaces:
Casemet Oy				Replaced:
Scale	Date	23.7.18	Drw No: A	Ref: Cubo V
43:300	By	PLe		
A3	Checked			
Sheet No: 1 (1)	Ctrl		Code: VSSP404030	