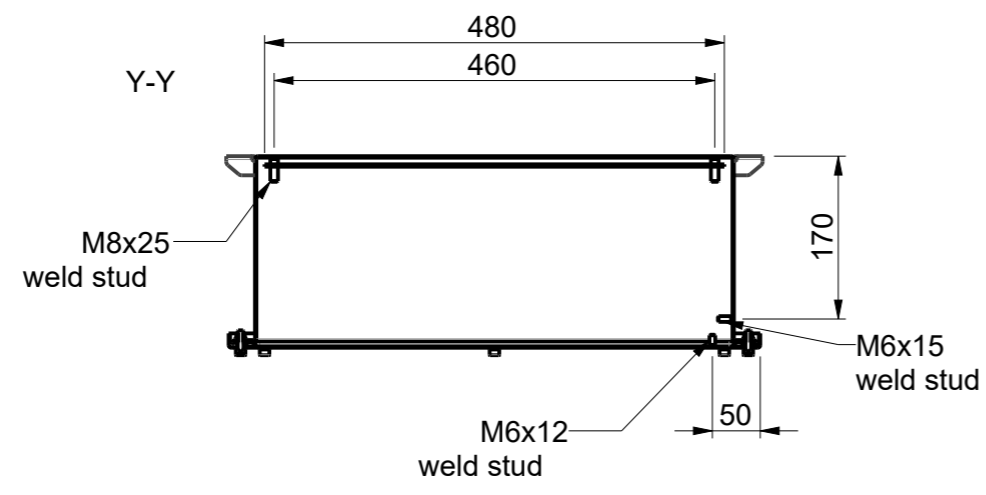
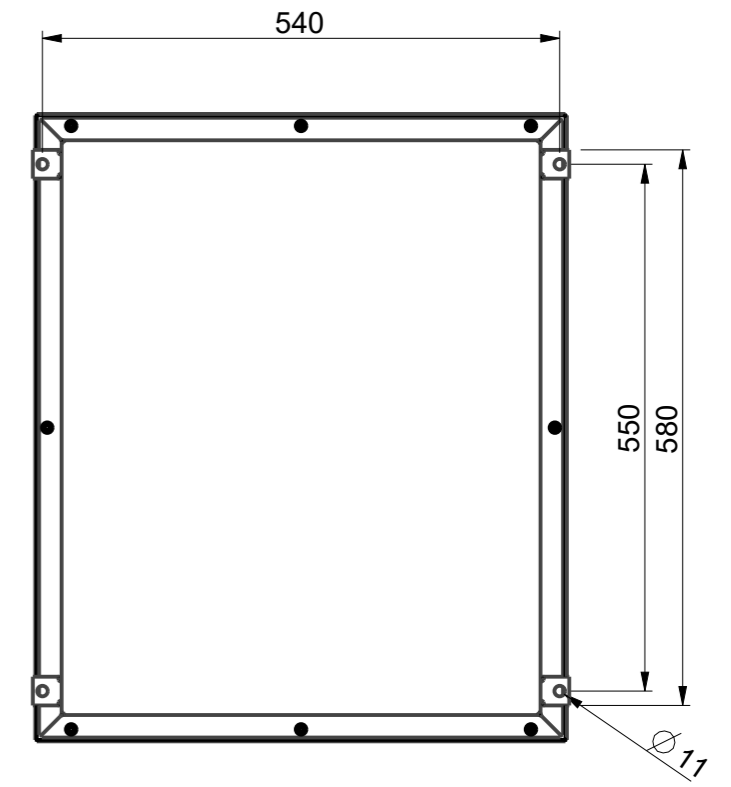
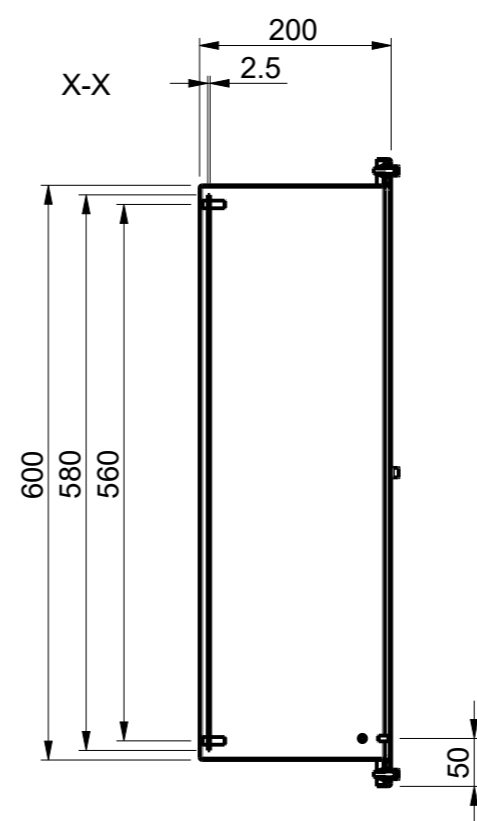
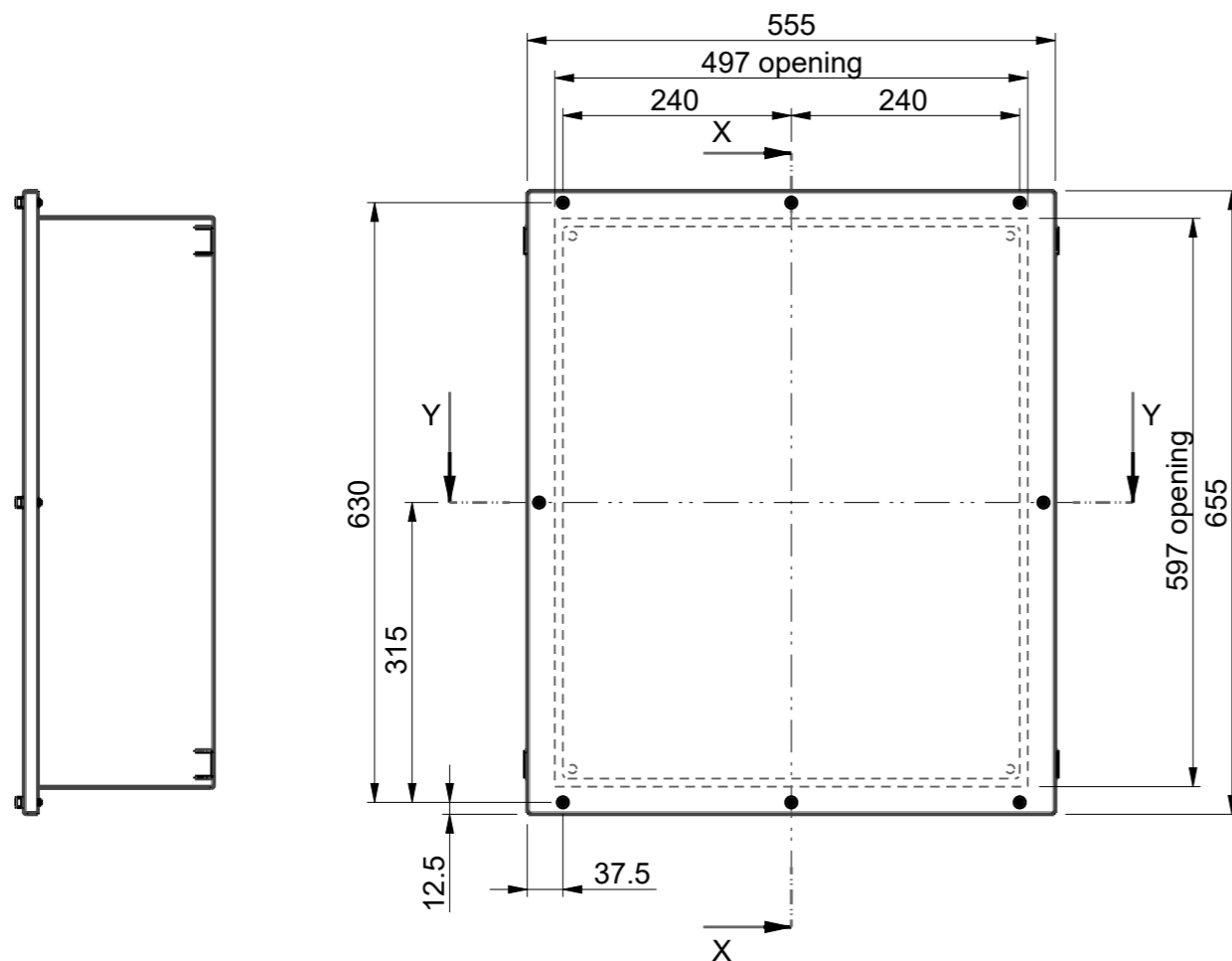
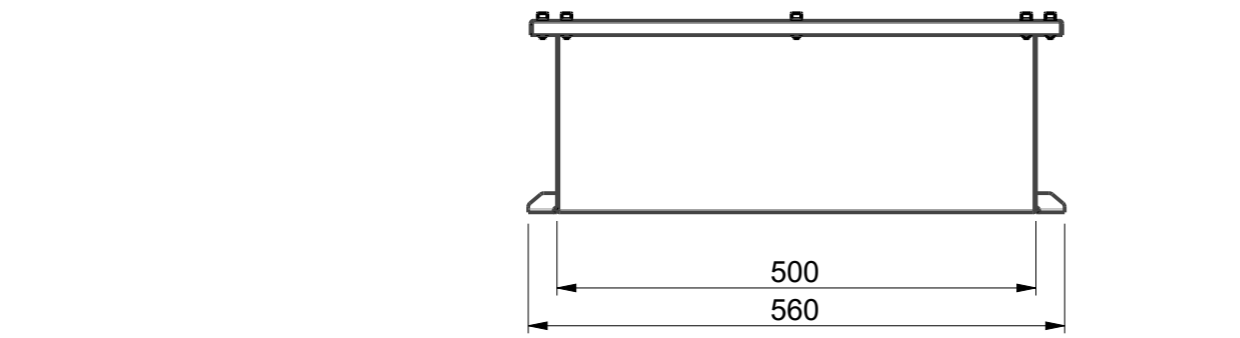


ISO 2768-C GENERAL TOLERANCES LINEAR AND ANGULAR DIMENSIONS
 DIN 6930-C STAMPED STEEL PARTS FLAT SURFACES / BENDINGS
 ISO 13920-BG WELDINGS WELDED CONSTRUCTIONS
 Model Drawing VSSP506020.dwg

1 2 3 4 5 6 7 8

ID	Description	Date	By	Appr.
A	1.	23.7.18	PLe	



Part	Code	Description	Pcs	Weight [g/pcs]
5	PPE19217	Mounting Plate V5060	1	0
4	RST12117	Lid VSS5060	1	0
3	PLF33	DIN912 M6x20 A4 hex socket screw	8	0
2	PUA84	DIN125 M6 A4 Washer	8	0
1	RST12017	Base VSSP506020	1	0

Surface Treatment: Color: - Weight [g] 18000
 Material: Stainless steel Casemet Material:

			Enclosure VSSP506020	Replaces:
Scale	Date			Replaced:
19:150	23.7.18	By	PLe	Drw No: A
A3	Checked	Ctrl		Ref: Cubo V
Sheet No: 1 (1)				Code: VSSP506020