

ISO 2768-C GENERAL TOLERANCES
LINEAR AND ANGULAR DIMENSIONS

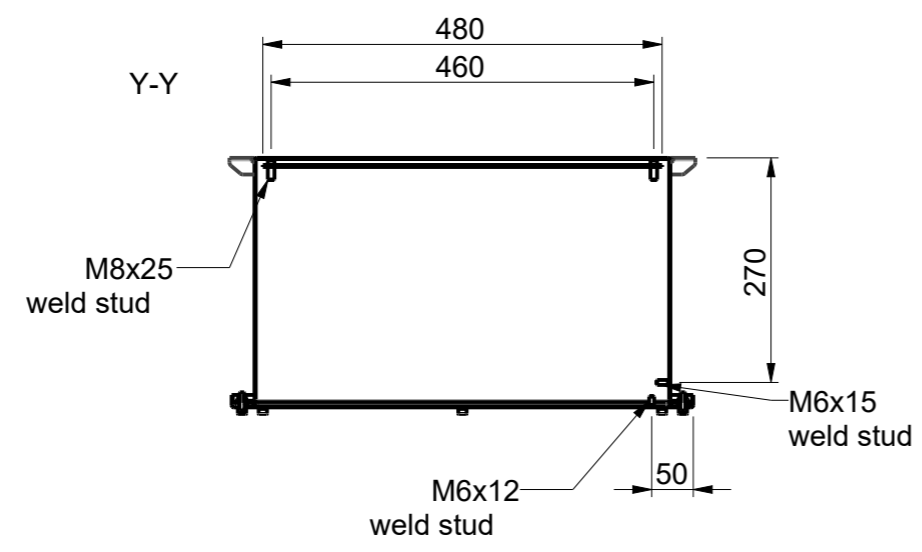
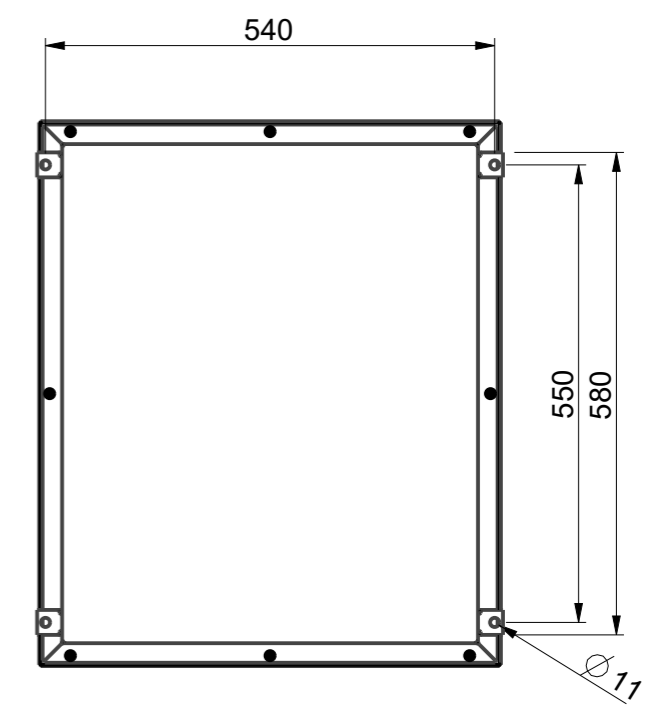
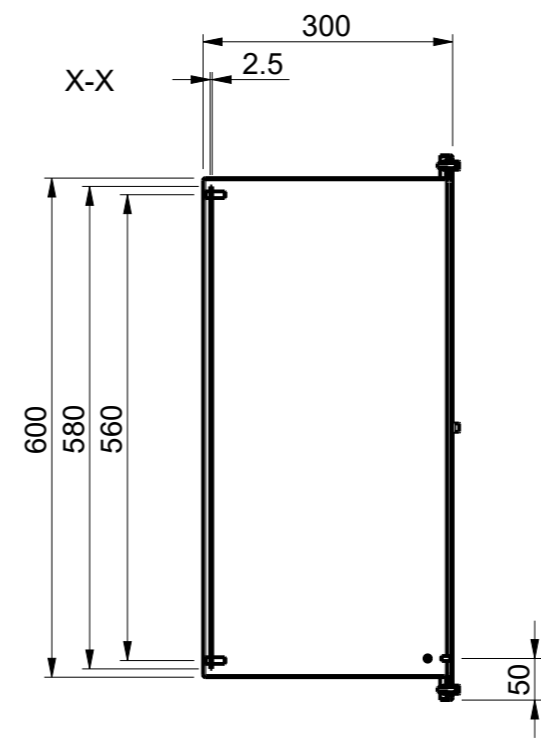
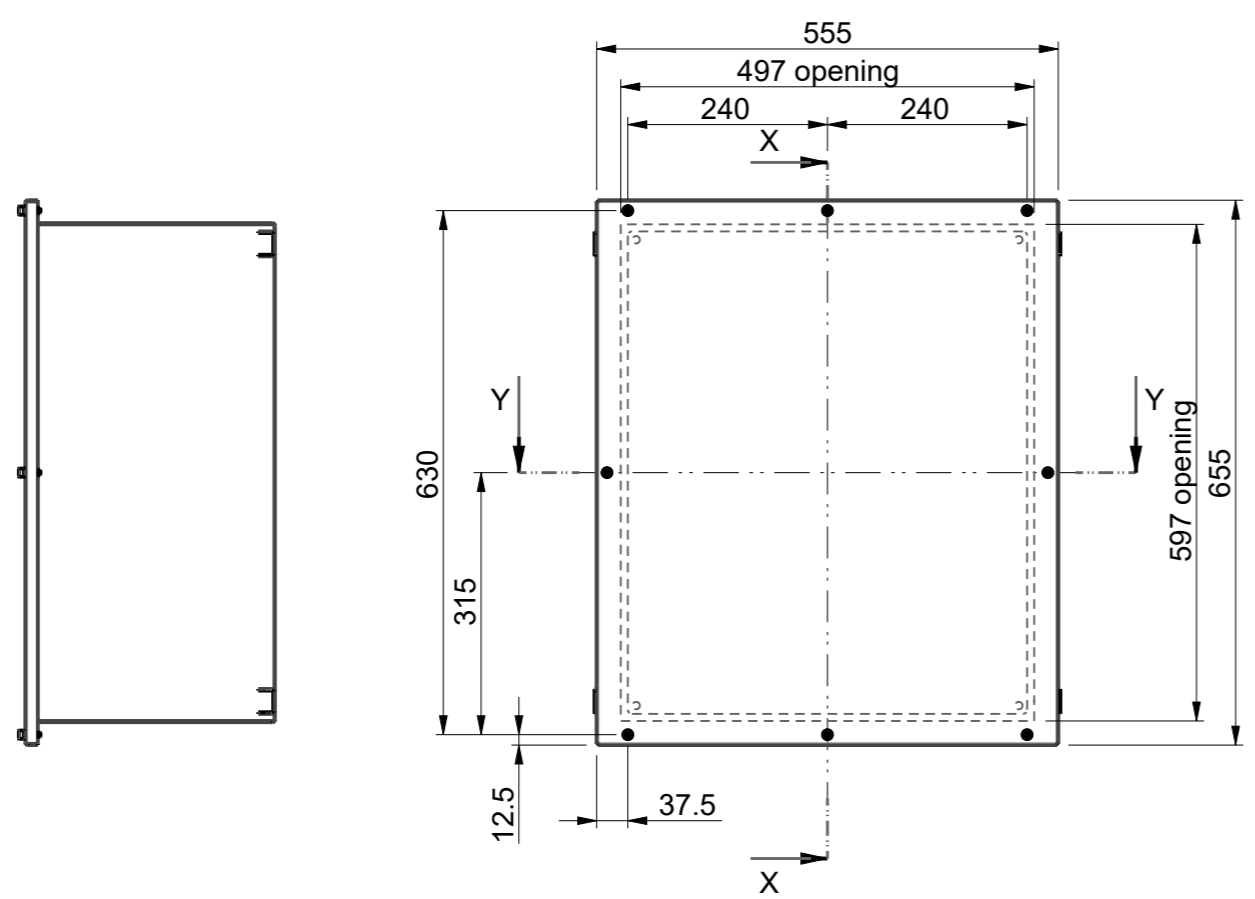
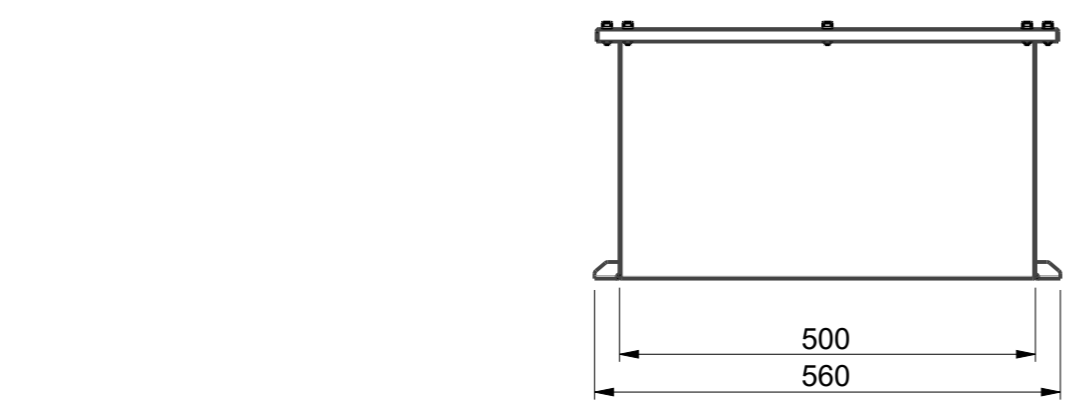
DIN 6930-C STAMPED STEEL PARTS
FLAT SURFACES / BENDINGS

ISO 13920-BG WELDINGS
WELDED CONSTRUCTIONS

Model
Drawing VSSP506030.dwg

1 2 3 4 5 6 7 8

| ID | Description | Date | By | Appr. |
|----|-------------|---------|-----|-------|
| A | 1. | 23.7.18 | PLe | |



| Part | Code | Description | Pcs | Weight [g/pcs] |
|------|----------|----------------------------------|-----|----------------|
| 5 | PPE19217 | Mounting Plate V5060 | 1 | 0 |
| 4 | RST12117 | Lid VSS5060 | 1 | 0 |
| 3 | PLF33 | DIN912 M6x20 A4 hex socket screw | 8 | 0 |
| 2 | PUA84 | DIN125 M6 A4 Washer | 8 | 0 |
| 1 | RST12018 | Base VSSP506030 | 1 | 0 |

Surface Treatment: Color: - Weight [g] 20000

Material: Stainless steel Casemet Material:

| | | | | |
|-----------------|---------|---------|----------------------|------------------|
| | | | Enclosure VSSP506030 | Replaces: |
| Casemet Oy | | | | Replaced: |
| Scale | Date | 23.7.18 | Drw No: A | Ref: Cubo V |
| 11:100 | By | PLe | | Code: VSSP506030 |
| A3 | Checked | | | |
| Sheet No: 1 (1) | Ctrl | | | |