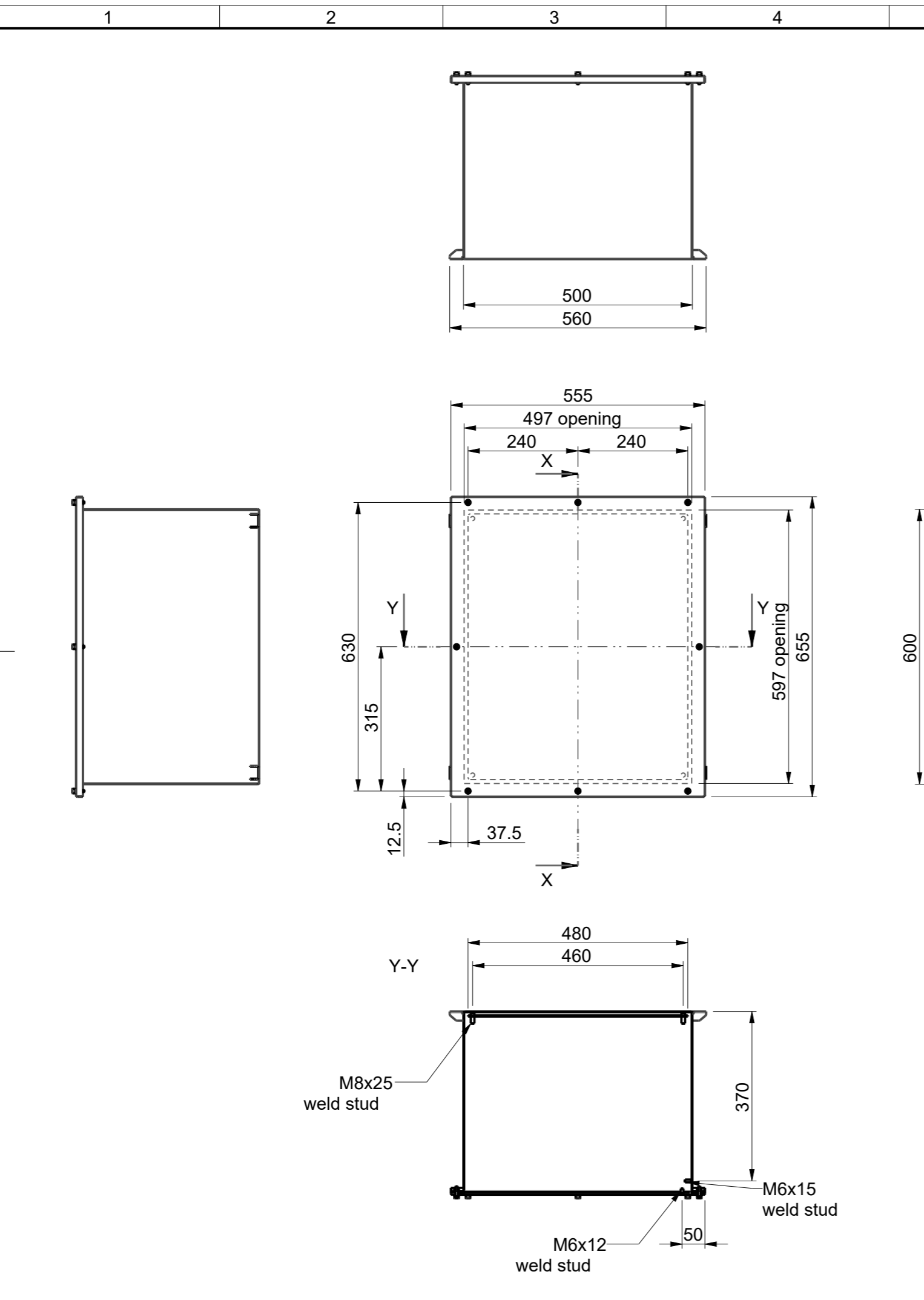
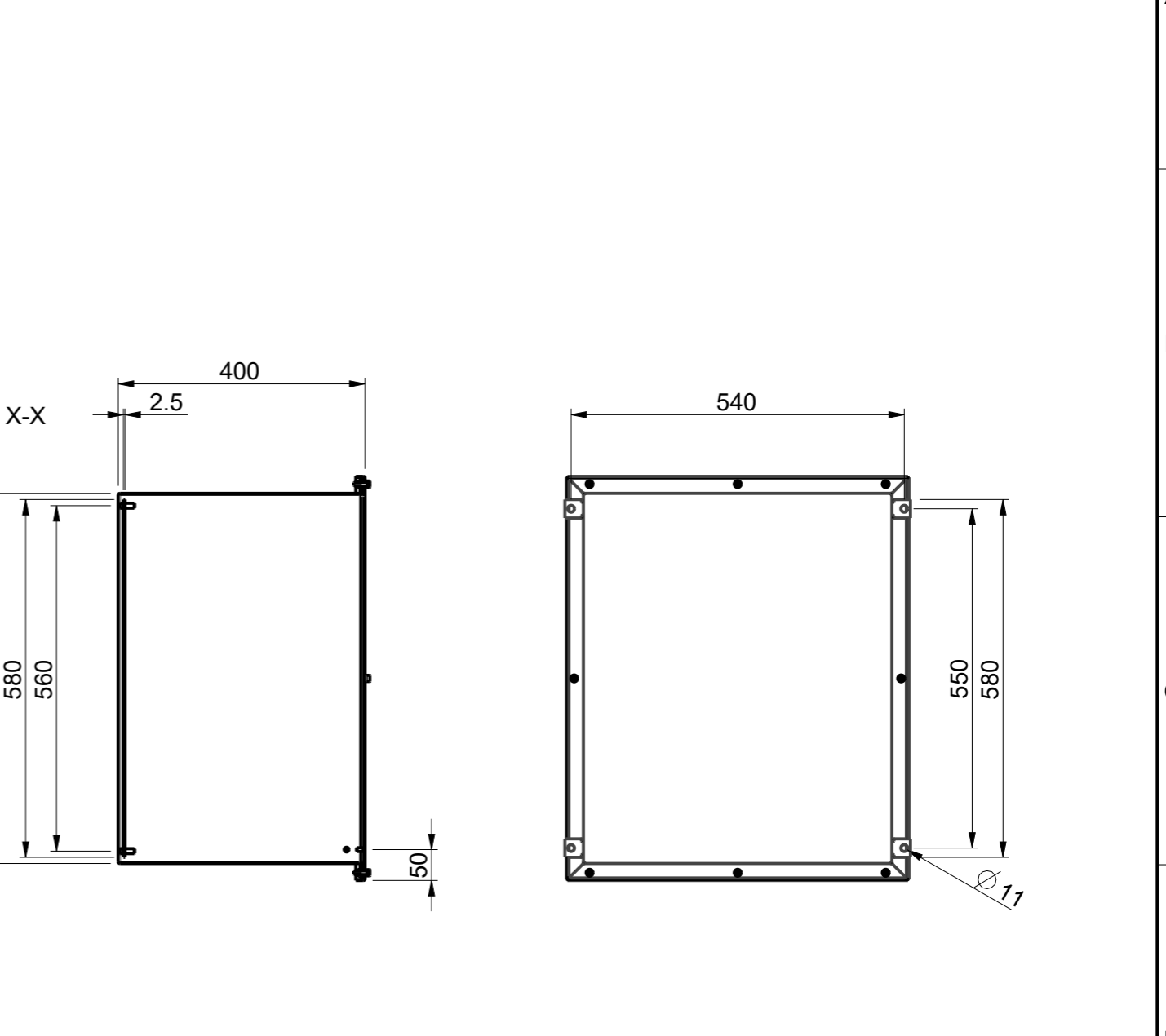


ISO 2768-C GENERAL TOLERANCES LINEAR AND ANGULAR DIMENSIONS  
 DIN 6930-C STAMPED STEEL PARTS FLAT SURFACES / BENDINGS  
 ISO 13920-BG WELDINGS WELDED CONSTRUCTIONS  
 Model Drawing VSSP506040.dwg



ID	Description	Date	By	Appr.
A	1.	23.7.18	PLe	



Part	Code	Description	Pcs	Weight [g]/pcs
5	PPE19217	Mounting Plate V5060	1	0
4	RST12117	Lid VSS5060	1	0
3	PLF33	DIN912 M6x20 A4 hex socket screw	8	0
2	PUA84	DIN125 M6 A4 Washer	8	0
1	RST12019	Base VSSP506040	1	0

Surface Treatment:		Color: -		Weight [g]	22000
Material: Stainless steel		Casemet Material:			
<b>CASEMET</b> Casemet Oy				Enclosure VSSP506040	
Scale	Date				
1:10	23.7.18	Replaced:		Drw No: A	
A3	By: PLe	Ref: Cubo V		Code: VSSP506040	
Sheet No: 1 (1)	Ctrl:				